

WSSCLC STAINLESS STEEL LOW PROFILE COMPRESSION LOAD CELL (U.S. & METRIC)

The WSSCLC series of load cells has been designed for a wide range of force measurement and weighing applications where space is limited. The WSSCLC is constructed from stainless steel and has a fully welded construction, offering a high level of corrosion resistance for use in harsh environments, with environmental sealing to IP68.

Available in capacities from 220 - 16.5K lbf (100 - 7,500 kg) to 22K - 440.9K lbf (10 - 200 MT), there are many applications ideally suited to the WSSCLC, including restricted height weighing applications, general force measurement and press calibration.

Interface, Inc. can provide the WSSCLC on its own or combined with any of our instrumentation range, to offer a more complete package. Please consult our technical department for any advice required on suitable instrumentation solutions.

FEATURES & BENEFITS

- Capacities from 220 - 16.5K lbf (100 - 7,500 kg) to 22K - 440.9K lbf (10 - 200 MT)
- High Stability
- Fully welded stainless steel construction
- Low height
- Environmentally sealed to IP68
- Accuracy $<\pm 0.023\%$

OPTIONS

- Load cap
- Weighing assembly up to 220.4K lbf (up to 100 MT) - See WSSCLC-MOUNT data sheet
- Mounting plate up to 220.4K lbf (up to 100 MT)
- TEDS option (when used with 9320 handheld display)

Rating	
220 lbf	100 kg
551 lbf	250 kg
1.1K lbf	500 kg
2.2K lbf	1000 kg
5.5K lbf	2500 kg
11K lbf	5000 kg
16.5K lbf	7500 kg
22K lbf	10 MT
44K lbf	20 MT
66.1K lbf	30 MT
110.2K lbf	50 MT
165.3K lbf	75 MT
220.4K lbf	100 MT
330.6K lbf	150 MT
440.9K lbf	200 MT

STANDARD CONFIGURATION



MODEL WSSCLC-100 (Shown)

SPECIFICATIONS

ACCURACY – (MAX ERROR)		
Rated load	lbf	220, 551, 1.1K, 2.2k, 5.5k, 11k 16.5k lbf
	kg	100, 250, 500, 1K, 2.5K, 5K, 7.5K kg
	lbf	22K, 44K, 66.1K, 110.2K, 165.3K, 220.4K, 330.6K, 440.9K lbf
	t	10, 20, 30, 50, 75, 100, 150, 200 MT
Overload range	150% full scale output (FSO)	
Ultimate breaking load	>300% FSO	
Maximum transverse load	50% FSO	
Output	2mV/V ($\pm 0.1\%$)	
Zero balance	$<\pm 1\%$ FSO	
Combined error	$<\pm 0.023\%$ FSO (equivalent to OIML R60, C2)	
Non-repeatability	$<\pm 0.01\%$ FSO	
Creep (at nominal load)	$<\pm 0.028\%$ FSO over 30 minutes	
	$<\pm 0.008\%$ FSO over 20-30 minutes	
Excitation voltage	10vdc recommended (18vdc maximum)	
Input resistance	700 Ω $\pm 2\Omega$	
Output resistance	700 Ω $\pm 2\Omega$	
Insulation resistance	>5G Ω @50vdc	
Compensated temperature range	F°	14 to 104
	C°	-10 to 40
Operating temperature range	F°	-4 to 158
	C°	-20 to 70
Storage temperature range	F°	-4 to 176
	C°	-20 to 80
Zero temperature coefficient	$<\pm 0.025\%$ FSO/ $^{\circ}$ C	
Span temperature coefficient	$<\pm 0.017\%$ FSO/ $^{\circ}$ C	
Environmental protection level	IP68 (100 hours in 1 metre of water)	
Electrical connections	5 metres PVC cable via special cable gland	

WIRING DIAGRAM

Description	Color
+ve Supply	Red
-ve Supply	Black
+ve Signal	White
-ve Signal	Yellow

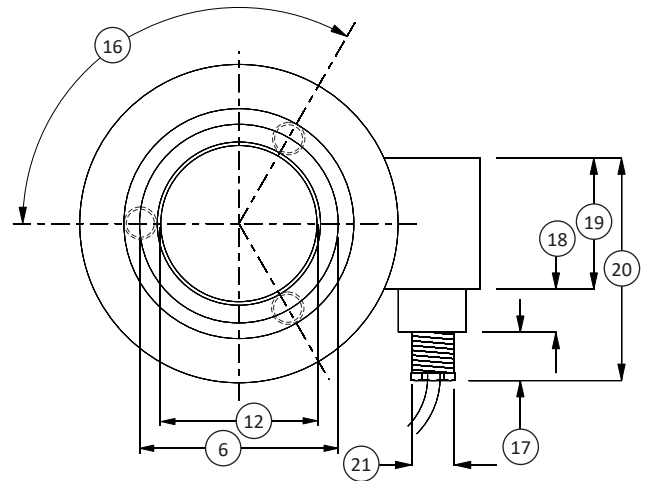
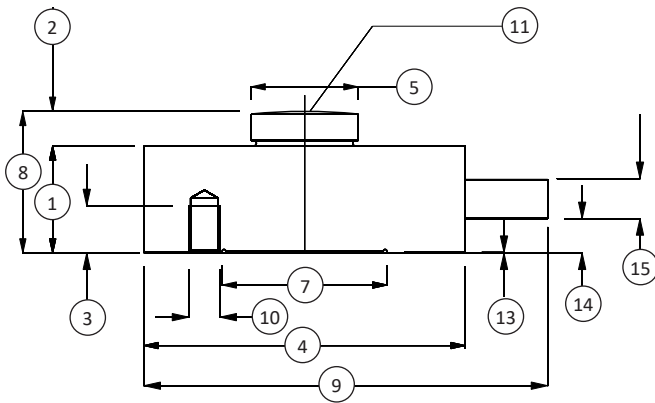
TYPICAL APPLICATIONS

- Vessel weighing
- Press force monitoring
- Center of gravity systems

WSSCLC STAINLESS STEEL LOW PROFILE COMPRESSION LOAD CELL (U.S. & METRIC)

SIDE VIEW

TOP VIEW



DIMENSIONS

SEE DRAWING	U.S. (lbf)	Metric (kg)	U.S. (lbf)	Metric (MT)	U.S. (lbf)	Metric (MT)	U.S. (lbf)	Metric (MT)	U.S. (lbf)	Metric (MT)
	220, 551, 1.1K, 2.2k, 5.5k, 11k, 16.5k	100, 250, 500, 1K, 2.5K, 5K, 7.5K	20K	10	44K, 66.1K	20, 30	110.2K, 165.3K, 220.4K	50, 75, 100	330.6K, 440.9K	150, 200
	in	mm	in	mm	in	mm	in	mm	in	mm
(1)	1.25	32	1.25	32	1.96	50	2.36	60	3.14	80
(2)	0.47	12	0.47	12	0.55	14	0.78	20	1.18	30
(3)	0.43	11	0.43	11	0.47	12	0.78	20	0.78	20
(4)	Ø 3.22	Ø 82	Ø 3.22	Ø 82	Ø 4.96	Ø 126	Ø 6.49	Ø 165	Ø 7.87	Ø 200
(5)	Ø 0.86	Ø 22	Ø 0.86	Ø 22	Ø 1.37	Ø 35	Ø 2.36	Ø 60	Ø 3.14	Ø 80
(6)	Ø 2.67	Ø 68	Ø 2.67	Ø 68	Ø 3.54	Ø 90	Ø 5.19	Ø 132	Ø 5.9	Ø 150
(7)	Ø 2.05	Ø 52.3	Ø 2.05	Ø 52.3	Ø 3	Ø 77.3	Ø 3.63	Ø 92.3	Ø 4.21	Ø 107
(8)	1.73	44	1.73	44	2.51	64	3.14	80	4.33	110
(9)	4	102	4	102	5.82	148	7.4	188	8.77	223
(10)	3x M8		3x M8		3x M8		4x M16		4x M16	
(11)	1.96	50	1.96	50	6.29	160	11.81	300	11.81	300
(12)	Ø 2.36	Ø 60	Ø 2.36	Ø 60	Ø 3.66	Ø 93	Ø 4.52	Ø 115	Ø 5	Ø 128
(13)	0.01	0.3	0.01	0.3	0.02	0.5	0.03	1	0.03	1
(14)	0.23	6	0.23	6	0.59	15	0.66	17	0.9	23
(15)	0.78	20	0.78	20	0.8	20	0.8	20	0.8	20
(16)	120°		120°		120°		120°		120°	
(17)	0.51	13	0.51	13	0.5	13	0.5	13	0.5	13
(18)	0.39	10	0.39	10	0.4	10	0.4	10	0.4	10
(19)	1.57	40	1.57	40	1.6	40	1.6	40	1.6	40
(20)	2.59	66	2.59	66	2.6	66	2.6	66	2.6	66
(21)	¼	6.35	¼	6.35	¼	6.35	¼	6.35	¼	6.35
Weight	2.8 (lbs)	1.3 (kg)	2.8 (lbs)	1.3 (kg)	7.4 (lbs)	3.4 (kg)	20.7 (lbs)	9.4 (kg)	40.1 (lbs)	18.2 (kg)