

LWMH2 THRU-HOLE LOAD CELL (U.S. & METRIC)

FEATURES & BENEFITS

- Capacities from 500 N to 20 kN (112.4 to 4.5K lbf)
- Ideal for press force control and measurement
- Mounting holes for installation

SPECIFICATIONS

ACCURACY – (MAX ERROR)		
Nonlinearity – %FS		±1
Hysteresis – %FS		±1
Nonrepeatability – %RO		±0.3
Creep, in 30 min – %		±0.1
TEMPERATURE		
Effect on Zero – %RO / deg	°C	±0.02
Effect on Output – % / deg	°C	±0.02
Compensated Range	°C	0 to +60
	°F	+32 to +140
Operating Range	°C	-10 to +70
	°F	+14 to +158
ELECTRICAL		
Output – mV/V ± %		1 ± 20
Excitation Voltage – VDC		2 - 12
Bridge Resistance – Ohm		350
MECHANICAL		
Safe Overload – %RO		150
Deflection at Rated Capacity	mm	< 0.15
	in	< 0.006
IP Rating		IP60
Material		Aluminum

OPTIONS

- Cable length
- Add connector to cable
- Custom calibration
- Standardized output
- Special temperature range
- Internal shunt resistor – 100% output
- Transducer Electronic Data Sheet (TEDS)

CONNECTOR OPTIONS

- 3 m (9.8 ft) integral cable

ACCESSORIES

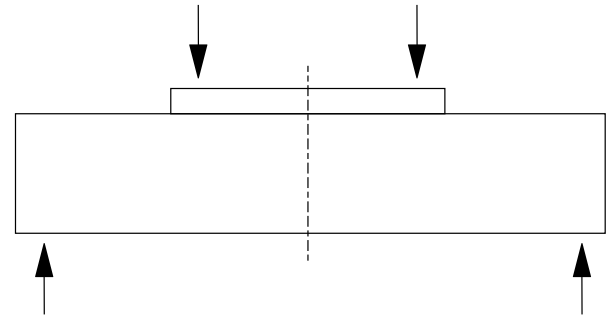
- Instrumentation

STANDARD CONFIGURATION



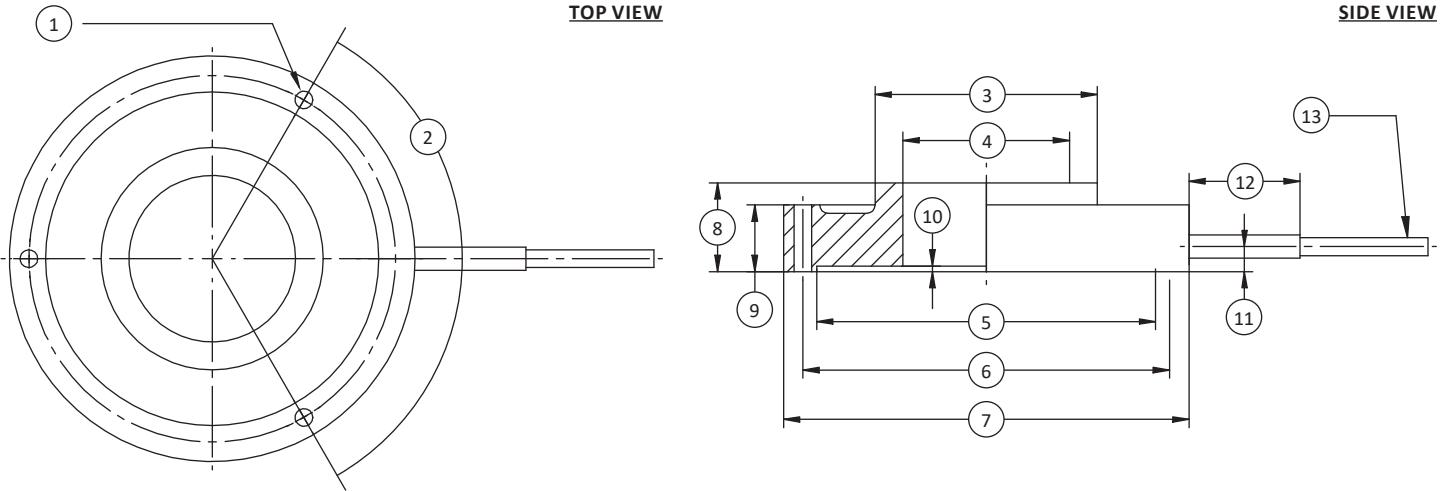
Model LWMH2 (Shown)

LOADING DIAGRAM



U.S. dimensions and capacities are provided for conversion only. Standard products have International System of Units (SI) capacities and dimensions.

LWMH2 THRU-HOLE LOAD CELL (U.S. & METRIC)



DIMENSIONS

See Drawing	Metric	U.S.
	500, 1K, 2K, 5K, 10K, 20K	112.4, 225, 450, 1.12K, 2.25K, 4.5K
	mm	in
(1)	3 x \varnothing 3.2	
(2)	3 x 120°	
(3)	\varnothing 40	\varnothing 1.6
(4)	\varnothing 30	\varnothing 1.2
(5)	\varnothing 61 (+0.3)	\varnothing 2.4 (+0.01)
(6)	\varnothing 66 (\pm 0.1)	\varnothing 2.6 (\pm 0.004)
(7)	\varnothing 73 (-0.2)	\varnothing 2.9 (-0.008)
(8)	16	0.6
(9)	12	0.5
(10)	1	0.04
(11)	4.5	0.18
(12)	22	0.9
(13)	\varnothing 3.2	\varnothing 0.13