

LWMH1 THRU-HOLE LOAD CELL (U.S. & METRIC)

FEATURES & BENEFITS

- Capacities from 0.2 to 10 kN (45 to 2.25K lbf)
- Ideal for press force control and measurement
- Mounting holes for installation

SPECIFICATIONS

ACCURACY → (MAX ERROR)		
Nonlinearity – %FS		±1
Hysteresis – %FS		±1
Nonrepeatability – %RO		±0.3
Creep, in 30 mon – %		±0.1
TEMPERATURE		
Effect on Zero – %RO / deg	°C	±0.02
Effect on Output – % / deg	°C	±0.02
Compensated Range	°C	0 to +60
	°F	+32 to +140
Operating Range	°C	-10 to +70
	°F	+14 to +158
ELECTRICAL		
Output – mV/V ± %		1 ± 20
Excitation Voltage – VDC		2 - 12
Bridge Resistance – Ohm		350
MECHANICAL		
Safe Overload – %RO		150
Deflection at Rated Capacity	mm	< 0.15
	in	< 0.006
IP Rating		IP60
Material		Aluminum

OPTIONS

- Cable length
- Custom calibration
- Standardized output
- Add connector to cable
- Special temperature range
- Internal shunt resistor – 100% output
- Transducer Electronic Data Sheet (TEDS)

CONNECTOR OPTIONS

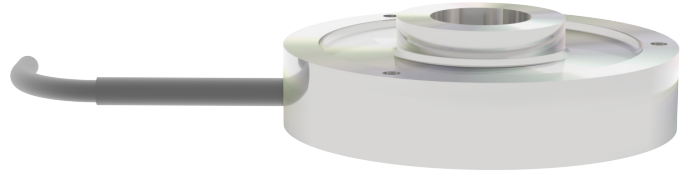
- 3 m (9.8 ft) integral cable

ACCESSORIES

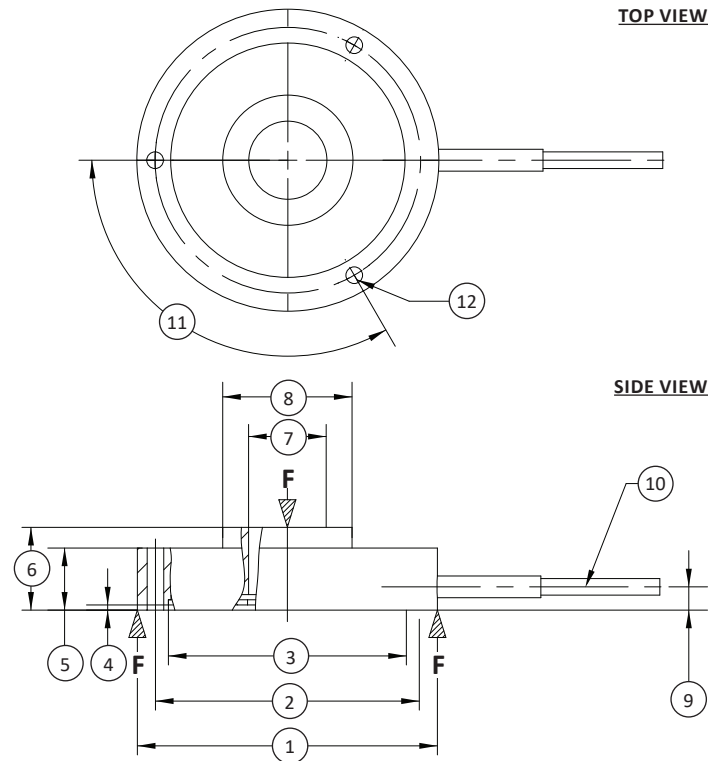
- Instrumentation

* F indicates load Direction
 U.S. dimensions and capacities are provided for conversion only. Standard products have International System of Units (SI) capacities and dimensions.

STANDARD CONFIGURATION



Model LWMH1 (Shown)



DIMENSIONS

See Drawing	CAPACITY	
	Metric (kN)	U.S. (lbf)
	mm	in
(1)	0.2, 0.5, 1, 2, 5, 10	45, 112, 225, 450, 2.25K
(2)	Ø58 2.3	Ø2.3
(3)	Ø51 2.0	Ø2.0
(4)	Ø46 1.8	Ø1.8
(5)	1	Ø0.04
(6)	12	0.5
(7)	16	0.6
(8)	Ø15	Ø0.6
(9)	Ø25	Ø1.0
(10)	4.5	0.2
(11)	Ø3.2	Ø0.1
(12)	3 X 120°	
	3 x Ø3.2	3 x Ø0.13