

Safety testing of front and rear bumpers

- Low-speed: RCAR, IIHS, NCAP, ECE R42, FMVSS581...

BUMPER PENDULUM TEST DEVICE

BUMPER PENDULUM SPECIFICATIONS*

Adjustable weights	500 - 3000 kg (10 kg steps)
Speed	4 Km/h
Adjustable center of gravity	
Double impact avoidance brake	

*Different technical specifications under request



GRAVITY IMPACTOR TEST SYSTEM

GRAVITY IMPACTOR SPECIFICATIONS*

Adjustable weights	500 - 3000 kg (10 kg steps)
Speed of impact	Up to 4 km/h
Combined with climatic chamber (Possible)	
Double impact avoidance brake	

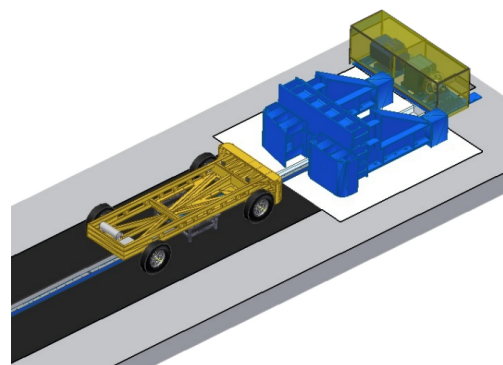


*Different technical specifications under request

LOW SPEED CRASH TEST

LOW SPEED TRACK SPECIFICATIONS*

Vehicle speed	Up to 20 km/h
Vehicle weight	Up to 3000 kg
Track length	Less than 25 m
Indoor and outdoor designs	
Auxiliary cart	



*Different technical specifications under request

AUXILIARY EQUIPMENT



Speed meter



Led lighting system



High speed camera



Data acquisition system