

High temperature accelerometer

793-6

SPECIFICATIONS

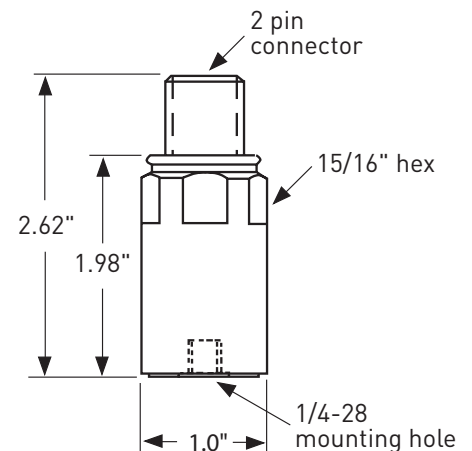
Sensitivity, $\pm 10\%$, 25°C		100 mV/g	
Acceleration range		50 g peak	
Amplitude nonlinearity		1%	
Frequency response:			
	$\pm 5\%$	4 - 5,000 Hz	
	$\pm 10\%$	3 - 7,000 Hz	
	± 3 dB	1 - 12,000 Hz	
Resonance frequency		25 kHz	
Transverse sensitivity, max		5% of axial	
Temperature response:			
	-50°C	-5%	
	0°C	+2%	
	+120°C	-5%	
Power requirement:			
Voltage source		18 - 30 VDC	
Current regulating diode		2 - 4 mA	
Electrical noise, equiv. g:			
Broadband		2.5 Hz to 25 kHz	
		0.03 mg	
		at 25°C:	
Spectral		10 Hz	
		10 $\mu\text{g}/\sqrt{\text{Hz}}$	
		100 Hz	
		3 $\mu\text{g}/\sqrt{\text{Hz}}$	
		1,000 Hz	
		2 $\mu\text{g}/\sqrt{\text{Hz}}$	
		at 150°C:	
		30 $\mu\text{g}/\sqrt{\text{Hz}}$	
		10 $\mu\text{g}/\sqrt{\text{Hz}}$	
		6 $\mu\text{g}/\sqrt{\text{Hz}}$	
Output impedance, max		100 Ω	
Bias output voltage:			
	25°C	12 VDC	
	150°C	11 VDC	
Grounding		case isolated, internally shielded	
Temperature range (mounting surface)		-50° to +150°C	
Vibration limit		500 g peak	
Shock limit		2,500 g peak	
Electromagnetic sensitivity, equiv. g		15 $\mu\text{g}/\text{gauss}$	
Sealing		hermetic	
Base strain sensitivity		0.0005 g/ μstrain	
Sensing element design		PZT, compression	
Weight		135 grams	
Case material		316L stainless steel	
Mounting		1/4-28 tapped hole	
Output connector		2 pin, MIL-C-5015 style	
Mating connector		R6 type	
Recommended cabling		J9T2A	

Accessories supplied: SF6 mounting stud; calibration data (level 3)



Key features

- 150°C operation
- Manufactured in ISO 9001 facility



Connections	
Function	Connector pin / cable conductor
power/signal	A / white
common	B / black
ground	shell / shield



Note: Due to continuous process improvement, specifications are subject to change without notice. This document is cleared for public release.