

General purpose accelerometer

787B

SPECIFICATIONS

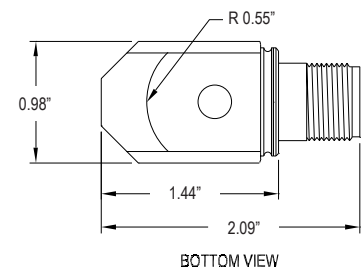
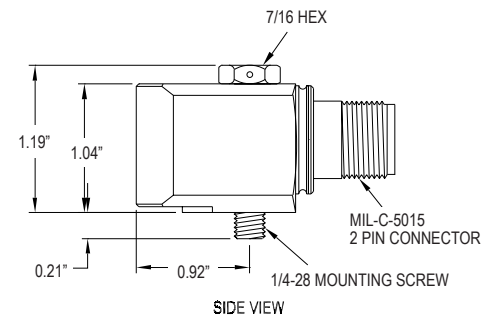
Sensitivity, $\pm 10\%$, 25°C		100 mV/g
Acceleration range		80 g peak
Amplitude nonlinearity		1%
Frequency response:	$\pm 10\%$	1.0 - 5,000 Hz
	± 3 dB	0.5 - 10,000 Hz
Resonance frequency		22 kHz
Transverse sensitivity, max		5% of axial
Temperature response:	-25°C	-10%
	+120°C	+10%
Power requirement:		
Voltage source		18 - 30 VDC
Current regulating diode		2 - 10 mA
Electrical noise, equiv. g:		
Broadband	2.5 Hz to 25 kHz	700 μ g
Spectral	10 Hz	10 μ g/ \sqrt Hz
	100 Hz	5 μ g/ \sqrt Hz
	1,000 Hz	5 μ g/ \sqrt Hz
Output impedance, max		100 Ω
Bias output voltage		12 VDC
Grounding		case isolated, internally shielded
Temperature range		-50° to +120°C
Vibration limit		500 g peak
Shock limit, min		5,000 g peak
Electromagnetic sensitivity, equiv. g, max		70 μ g/gauss
Sealing		hermetic
Base strain sensitivity, max		0.002 g/ μ strain
Sensing element design		PZT ceramic / shear
Weight		145 grams
Case material		316L stainless steel
Mounting		1/4-28 captive hex head screw, 0.046" diameter safety wire hole
Output connector		2 pin, MIL-C-5015 style
Mating connector		R6 type
Recommended cabling		J10 / J9T2A

Accessories supplied: 1/4-28 captive hex head screw; calibration data (level 2)



Key features

- Variety of connector options available
- Low profile
- Manufactured in ISO 9001 facility



Connections	
Function	Connector pin / cable conductor color
power/signal	A / white
common	B / black
ground	shell / shield



Note: Due to continuous process improvement, specifications are subject to change without notice. This document is cleared for public release.