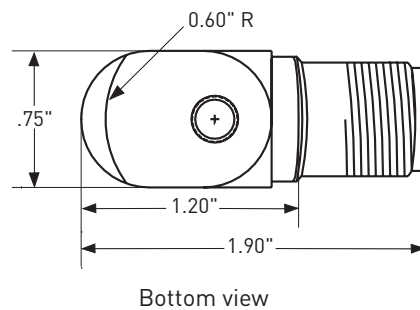
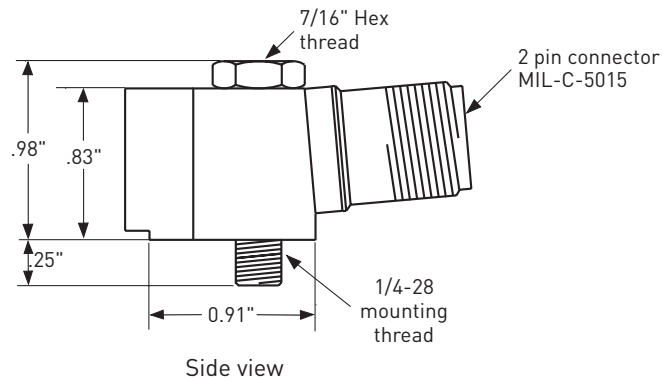


# Low profile industrial accelerometer 785A



## Key features

- Corrosion resistant
- Hermetically sealed
- Ground isolated
- ESD protection
- Reverse wiring protection
- RFI protection



Connections	
Function	Connector pin
case	shell
power/signal	A
common	B

## Applications

- General purpose
- Moderate industrial environments
- Conveyors and drives

Note: Due to continuous process improvement, specifications are subject to change without notice.  
This document is cleared for public release.

Wilcoxon Sensing Technologies  
20511 Seneca Meadows Parkway  
Germantown, MD 20876  
info@wilcoxon.com

Tel: (301) 330 8811  
Fax: (301) 330 8873  
www.wilcoxon.com

Wilcoxon Sensing Technologies  
An Amphenol Company

# Low profile industrial accelerometer 785A

## SPECIFICATIONS

<b>Sensitivity, ±10%, 25° C</b>	100 mV/g
<b>Acceleration range</b>	80 g peak
<b>Amplitude nonlinearity</b>	1%
<b>Frequency response:</b>	
± 10%	2 - 8,000 Hz
± 3 dB	1 - 12,000 Hz
<b>Resonance frequency, mounted, min</b>	30 kHz
<b>Transverse sensitivity, max</b>	5% of axial
<b>Temperature response:</b>	
-50° C	-10%
+120° C	+7%
<b>Power requirement:</b>	
Voltage source	18 - 30 VDC
Current regulating diode	2 - 10 mA
<b>Electrical noise, equiv. g, nominal:</b>	
Broadband      2.5 Hz to 25 kHz	1,260 µg
Spectral            10 Hz	11 µg/√Hz
100 Hz	6 µg/√Hz
1,000 Hz	6 µg/√Hz
<b>Output impedance</b>	100 Ω
<b>Bias output voltage, nominal</b>	12 VDC
<b>Grounding</b>	case isolated, internally shielded
<b>Temperature range</b>	-50 to +120° C
<b>Vibration limit</b>	500 g
<b>Shock limit, min</b>	5,000 g
<b>Sealing</b>	hermetic
<b>Base strain sensitivity, max</b>	0.002 g/µstrain
<b>Weight</b>	85 grams
<b>Case material</b>	316L stainless steel
<b>Mounting</b>	1/4-28 captive hex head screw with 0.046" diameter safety wire hole
<b>Output connector</b>	2-pin MIL-C-5015 style
<b>Mating connector</b>	R6 type
<b>Recommended cabling</b>	J10 / J9T2A

## Contact

Wilcoxon Sensing Technologies

20511 Seneca Meadows Parkway  
Germantown MD 20876, USA

Tel: +1 301 330 8811  
Fax: +1 301 330 8873

info@wilcoxon.com

www.wilcoxon.com

## Accessories supplied:

- Calibration data (level 3)
- SF6 mounting stud

**Notes:** <sup>1</sup> At 90 inch/lb torque.

Note: Due to continuous process improvement, specifications are subject to change without notice.  
This document is cleared for public release.

Wilcoxon Sensing Technologies  
20511 Seneca Meadows Parkway  
Germantown, MD 20876  
info@wilcoxon.com

Tel: (301) 330 8811  
Fax: (301) 330 8873  
www.wilcoxon.com

Wilcoxon Sensing Technologies  
An Amphenol Company