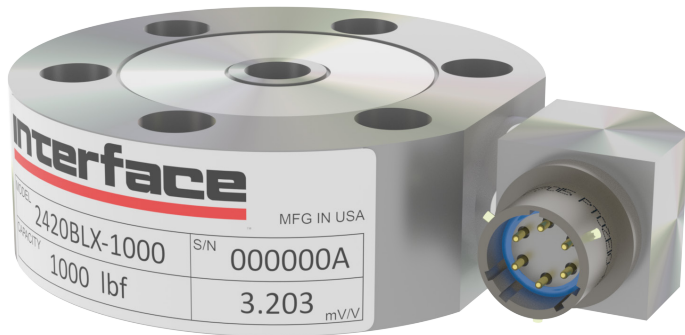


2400 STANDARD STAINLESS STEEL LOAD CELL (U.S. & METRIC)

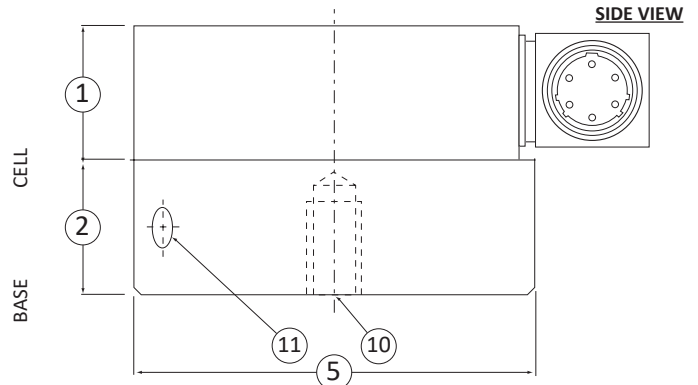
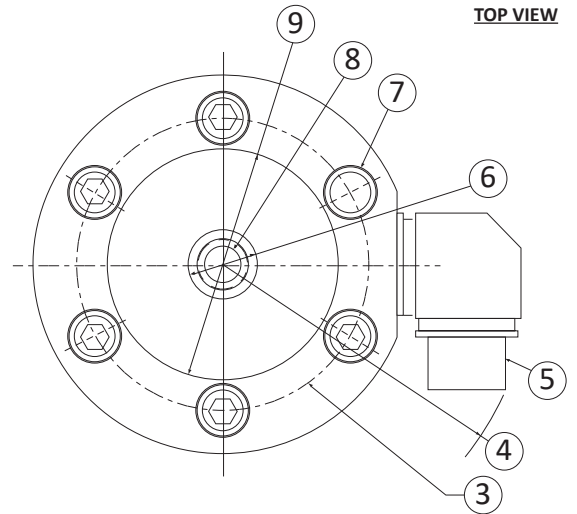
FEATURES & BENEFITS

- Capacities from 100 to 5K lbf (0.5 to 22 kN)
- Proprietary Interface temperature compensated strain gages
- Stainless steel construction
- Hermetically sealed
- Tension and compression
- Compact size
- Counterbored mounting holes

STANDARD CONFIGURATION



Model 2420BLX-1000 (Shown)



(Shown with optional tension base)

DIMENSIONS

See Drawing	MODEL			
	2420		2430	
	CAPACITY			
	U.S. (lbf)	Metric (kN)	U.S. (lbf)	Metric (kN)
	100, 250, 500, 1K	0.5, 1.25, 2.2, 4.5	2K, 5K	8.9, 22
	in	mm	in	mm
(1)	1.00	25.4	1.00	25.4
(2)	1.00	25.4	1.00	25.4
(3)	2.25	57.2	2.63	66.7
(4)	2.43	61.7	2.68	68.1
(5)	3.00	76.2	3.50	88.9
(6)	0.55	14.0	0.81	20.5
(7)	Counterbored for ¼-28 SHCS 6 Places		Counterbored for ⅜-24 SHCS 6 Places	
(8)	⅜-24 UNF-3B THRU		½-20 UNF-3B THRU	
(9)	1.81	46.0	2.07	52.5
(10)	⅜-24 UNF		½-20 UNF	
	↓ 0.70	↓ 17.8	↓ 0.70	↓ 17.8
(11)	Spanner holes 2 SPACED @ 180°			

* Metric dimensions and capacities are provided for conversion only. Standard product will be sold in lbf and U.S. dimensions. Metric capacities available upon special request and at an additional cost.

2400 STANDARD STAINLESS STEEL LOAD CELL (U.S. & METRIC)

SPECIFICATIONS

PARAMETERS		MODEL	
		2420	2430
		CAPACITY	
Measuring Range	U.S. (lbf)	100, 250, 500, 1K	2K, 5K
	Metric (kN)	0.5, 1.25, 2.2, 4.5	8.9, 22
ACCURACY – (MAX ERROR)			
Static Error Band – %FS		±0.10	±0.10
Nonlinearity – %FS		±0.10	±0.10
Hysteresis – %FS		±0.08	±0.08
Nonrepeatability – %RO		±0.02	±0.02
Creep, in 20 min – %		±0.05	±0.05
TEMPERATURE			
Compensated Range	°F	+15 to +115	+15 to +115
	°C	-10 to +45	-10 to +45
Operating Range	°F	-65 to +200	-65 to +200
	°C	-55 to +90	-55 to +90
Effect on Zero – %RO / °F MAX		±0.002	±0.002
Effect on Output – %RO / °F MAX		±0.002	±0.002
ELECTRICAL			
Rated Output – mV/V (Nominal)		3.0	3.0
Excitation Voltage – VDC MAX		15	15
Bridge Resistance – Ohm (Nominal)		350	350
Zero Balance – %RO		±2.0	±2.0
Insulation Resistance – Megohm		5000	5000
MECHANICAL			
Safe Overload – %CAP		±150	±150
Deflection @ RO	in	0.003, 0.002, 0.002, 0.002	0.002
	mm	0.076, 0.051, 0.051, 0.051	0.051
Optional Base – P/N		B318-2	B319-2
Natural Frequency – kHz		2.2, 4.4, 6.0, 8.3	9.1, 11.7
Weight	lbs	1.5	2.0
	kg	0.68	0.91
Seal		Glass-metal hermetic	
Material		Stainless steel	

OPTIONS

- Submersible with integral cable
- Base (recommended)
- Transducer Electronic Data Sheet (TEDS)
- Custom calibration
- Special threads
- Special temperature range

CONNECTOR OPTIONS

- PTWIH-10-6P

ACCESSORIES

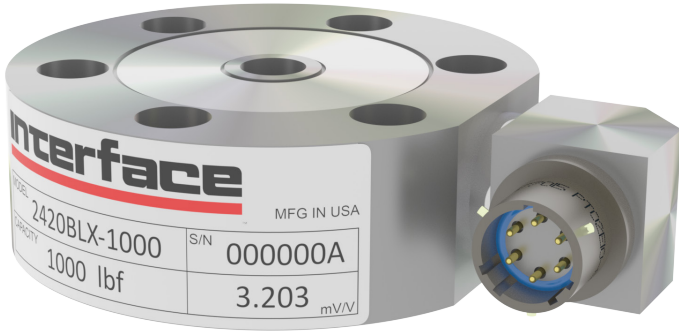
- Mating connector
- Instrumentation
- Loading hardware
- Mating cable

* Metric dimensions and capacities are provided for conversion only. Standard product will be sold in lbf and U.S. dimensions. Metric capacities available upon special request and at an additional cost.

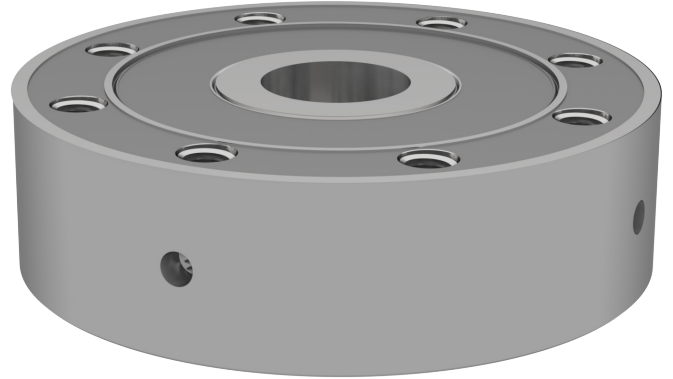
2400 STANDARD STAINLESS STEEL LOAD CELL (U.S. & METRIC)

BAYONET CONNECTOR

BASE



Model 2420BLX-1000



Model B3XXX

