

2000 HIGH PRECISION CANISTER LOAD CELL (U.S. & METRIC)

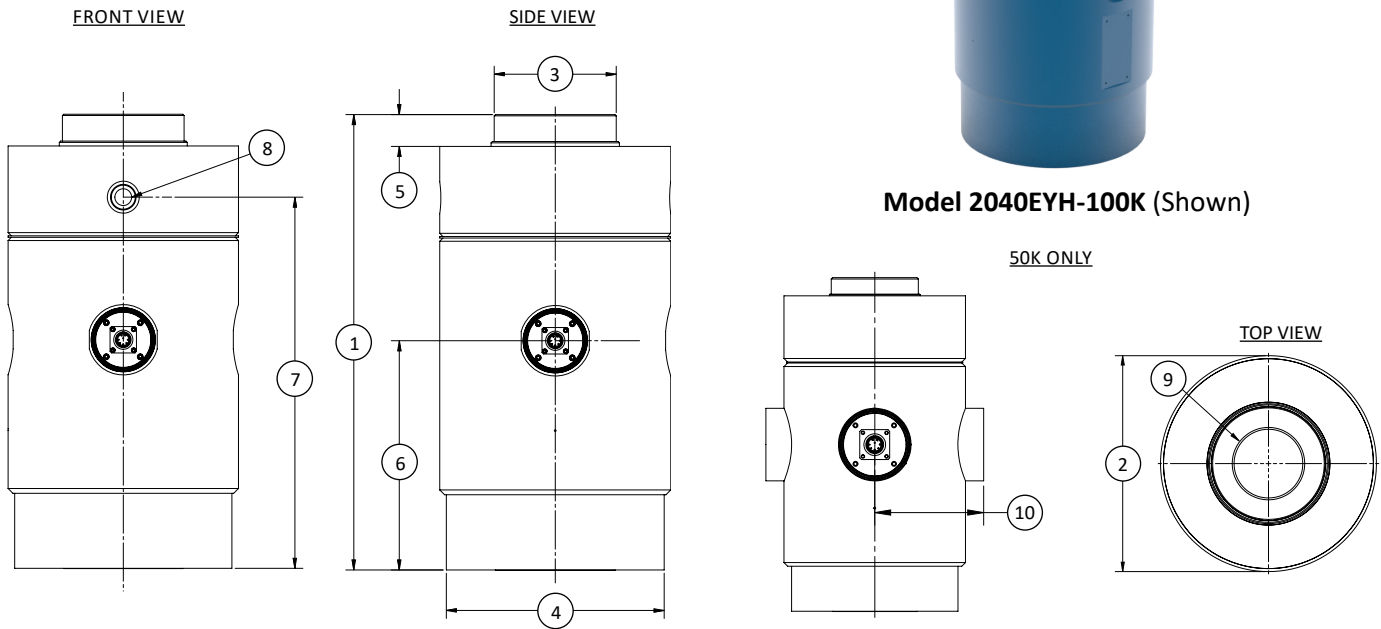
FEATURES & BENEFITS

- Capacities from 50K to 300K lbf (250 to 1500 kN)
- Higher capacities available
- High performance
- Ring-type design
- Rugged construction
- Environmentally protected

STANDARD CONFIGURATION



Model 2040EYH-100K (Shown)



DIMENSIONS

See Drawings	MODEL					
	2030		2040		2060	
	CAPACITIES					
	U.S. (lbf)	Metric (kN)	U.S. (lbf)	Metric (kN)	U.S. (lbf)	Metric (kN)
	50K	250	100K	450	200K, 300K	900, 1500
	in	mm	in	mm	in	mm
(1)	11.5	292.1	17.75	450.85	22.0	558.8
(2)	Ø6.25	Ø158.75	Ø9.0	Ø228.6	Ø10.0	Ø254
(3)	Ø3.0	Ø76.2	Ø4.75	Ø120.65	Ø5.75	Ø146.05
(4)	Ø5.73	Ø145.54	Ø8.49	Ø215.65	Ø9.49	Ø241.05
(5)	0.63	16.0	1.24	31.5	1.25	31.75
(6)	5.75	146.05	9.0	228.6	11.0	279.4
(7)	N/A	N/A	14.5	368.3	18.25	463.55
(8)	N/A	N/A	¾-10 UNC – 2B		¾-10 UNC – 2B	
			↓ 1	↓ 25.4	↓ 1	↓ 25.4
(9)	2-12 UN – 2B		3-8 UN – 2B		4-8 UN – 2B	
	↓ 2.5	↓ 127	↓ 4.5	↓ 114.3	↓ 4.5	↓ 114.3
(10)	3x 3.75	3x 95.25	N/A	N/A	N/A	N/A

* Metric dimensions and capacities are provided for conversion only. Standard product will be sold in lbf and U.S. dimensions. Metric capacities available upon special request and at an additional cost.

2000HP v2.3 08-13-2018

2000 HIGH PRECISION CANISTER LOAD CELL (U.S. & METRIC)

SPECIFICATIONS

PARAMETERS		MODEL		
		2030	2040	2060
		CAPACITY		
Measuring Range	U.S. (lbf)	50K	100K	200K, 300K
	Metric (kN)	225	450	900, 1500
ACCURACY – (MAX ERROR)				
Nonlinearity – %FS		± 0.05	± 0.05	± 0.05
Hysteresis – %FS		± 0.03	± 0.03	± 0.03
Non-repeatability – %RO		± 0.02	± 0.02	± 0.02
Creep in 20 min – %		± 0.025	± 0.025	± 0.025
TEMPERATURE				
Compensated Range	°F	15 to +115	15 to +115	15 to +115
	°C	-10 to 45	-10 to 45	-10 to 45
Operating Range	°F	-65 to +200	-65 to +200	-65 to +200
	°C	-55 to 90	-55 to 90	-55 to 90
Effect on Zero – %RO / °F		± 0.0008	± 0.0008	± 0.0008
Effect on Output – %RO / °F		± 0.0008	± 0.0008	± 0.0008
ELECTRICAL				
Rated Output – mV/V (Nominal)		3.0 ± 0.3	3.0 ± 0.3	3.0 ± 0.3
Excitation – VDC (Nominal)		10	10	10
Excitation – VAC/VDC (Maximum)		20	20	20
Bridge Resistance – Ohm (Nominal)		350	350	350
Zero Balance – %RO		± 1.0	± 1.0	± 1.0
Insulation Resistance – Megohm		5000	5000	5000
MECHANICAL				
Safe Overload – %CAP		150	150	150
Weight	lbs	50	150	250
	kg	22.68	68.04	113.40
Material		Alloy steel		

OPTIONS

- ASTM E74 calibration
- Standardized output
- Special thread size
- Multiple bridge
- Transducer Electronic Data Sheet (TEDS)
- Custom calibration
- Special temperature range

CONNECTOR OPTIONS

- PC02E-12-8P connector

ACCESSORIES

- Mating connector
- Mating cable
- Instrumentation
- Loading hardware