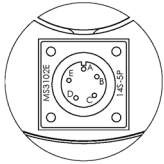
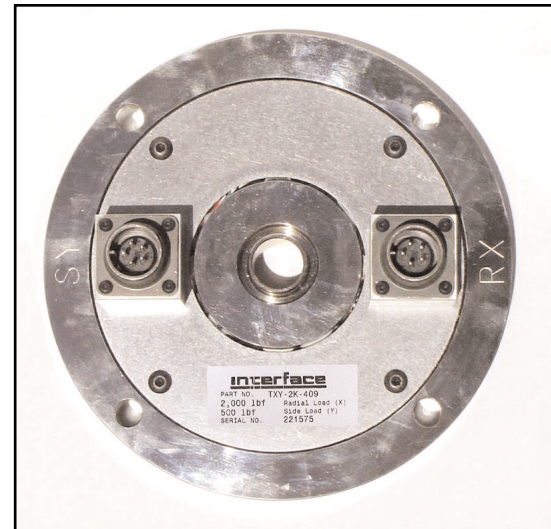


Model X-Y Load Cell

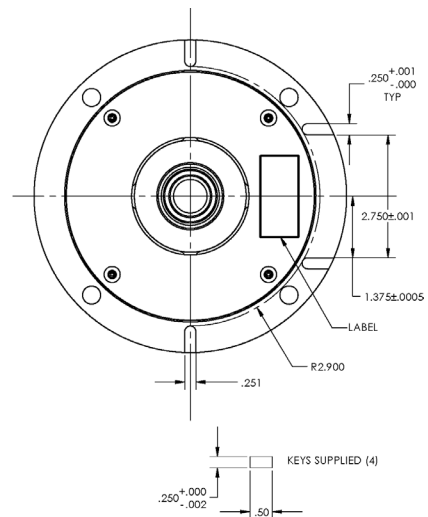
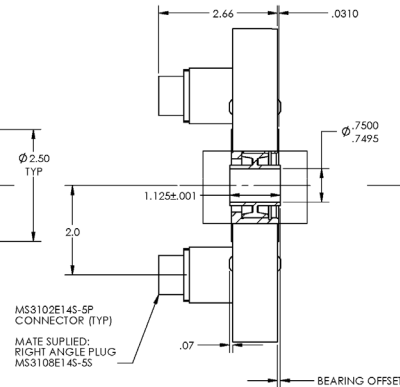
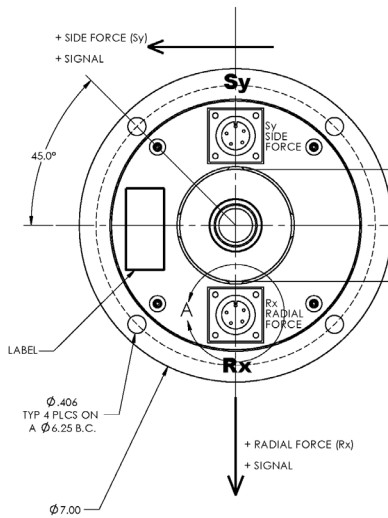
Why the Interface model X-Y Load Cell is the best in class:

- Measures X & Y forces
- Low cross talk – <0.5%
- Linearity 0.1%
- 3-Axis version available



CONNECTOR	FUNCTION
A	-SIGNAL
B	+EXCITATION
C	-EXCITATION
D	+SIGNAL
E	NIC

FORCE ARROWS INDICATE POSITIVE SIGNAL



SPECIFICATIONS

Side force capacity	lbf	500
Radial force capacity	lbf	1K, 1.5K, 2K
Rated output	mV/V	2 ±0.25%
Nonlinearity	%FS	±01
Hysteresis	%FS	±01
Nonrepeatability	%FS	±0.05%
Temperature effect on zero	%RO/°F	±0.002
Temperature effect on output	%/°F	±0.002
Excitation voltage, Max	VDC	20
Zero balance	%RO	±1.0
Input resistance, nominal	Ω	350
Output resistance, nominal	Ω	350
Insulation resistance (50 V DC)	MΩ	5000
Compensated temperature range	°F	+70 to +170
Operating temperature range	°F	-65 to +100
Safe overload	%CAP	150
Load cell material		E4340