



## PT2060/99 System Rack

There are two sorts of PT2060 rack: a standard 19" rack and a 12" rack. The standard 19" rack is a rack with the same dimensions as a standard 19" industrial rack.

One standard 19" rack contains a total of 16 slots. Two slots in the PT2060/99 are designated for system power (PT2060/90) modules and communication (PT2060/91) module. Two slots in the PT2060/99 are designated for PT2060-80 modules. The remaining 12 slots may be used for any combination of signal processing modules, relay modules and communication modules. The rack can process channels up to 48.

One 12" rack can contain 9 slots at most. The first slot from right is designated for system power (PT2060/90) module. The second slot from right is designated for communication (PT2060/91) module. The third slot from right is designated for PT2060-80 module. The remaining 6 slots may be used for any combination of signal processing modules, relay modules and communication modules. The rack can process channels up to 24.

Each PT2060/99 contains a data highway communication backplane which is located in the middle of the system rack. All modules plug into this backplane which enables communication and power to the individual modules.

For triple redundancy or over speed applications the standard 19" rack has the flexibility to be segregated into three groups: slot 1-4, slot 5-8 and slot 9-12. The 12" rack has one group only: slot 1-4.

**Note:** For each group, the relay module has to be mounted in the first slot on the right.

### Specifications

#### Environmental

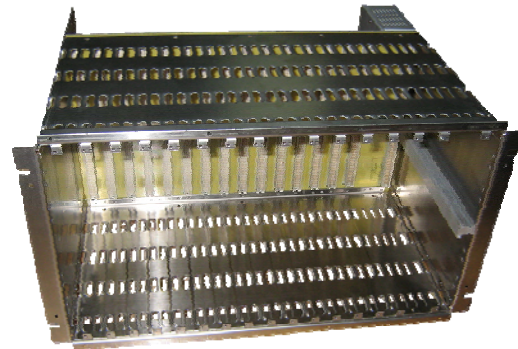
Temperature:

Operation: -20°C to +65°C

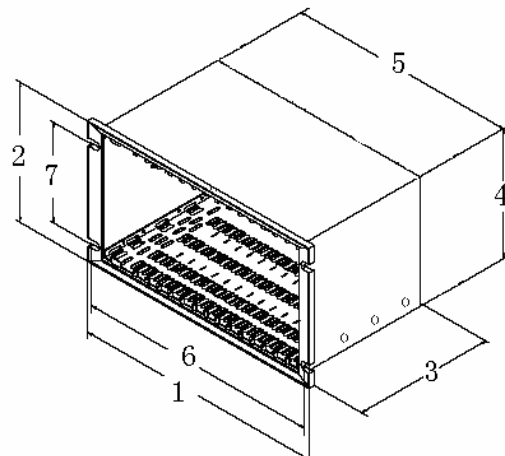
Storage: -40°C to +85°C

Humidity:

95% non-condensing



### Physical



#### Dimensions for the standard 19" rack

1. 483mm (19.0")
2. 266mm (10.5")
3. 355mm (14.0")
4. 246mm (9.7")
5. 442mm (17.4")
6. 465mm (18.3")
7. 190mm (7.5")

#### Dimensions for the 12" rack

1. 304 mm (12.0")
2. 266mm (10.5")
3. 355mm (14.0")
4. 246mm (9.7")
5. 264mm (10.4")
6. 277mm (10.9")
7. 190mm (7.5")



## Ordering Information

PT2060/99-AX

AX:

A0: Standard 19" rack

A1: Standard 12" rack

Optional Accessories:

PT2060-009900: Plastic frame for 19" Rack

PT2060-009901: Plastic frame for 12" Rack

PT2060-009902: Rack cover for 19" Rack

PT2060-009903: Rack cover for 12" Rack

PT2060-009904: Bolt for all front panel

PT2060-009905: Front blank panel

PT2060-009906: Back blank panel

