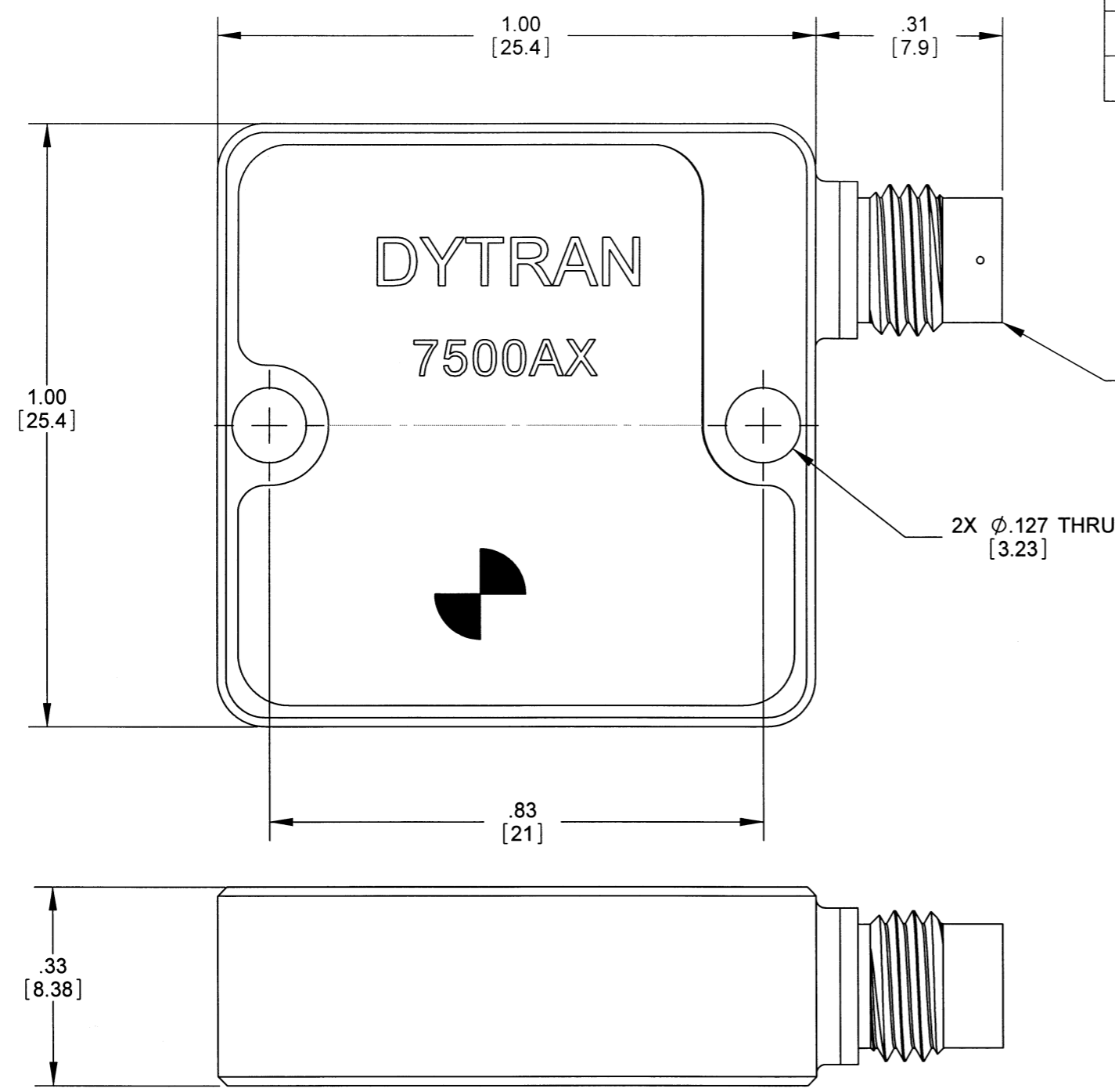


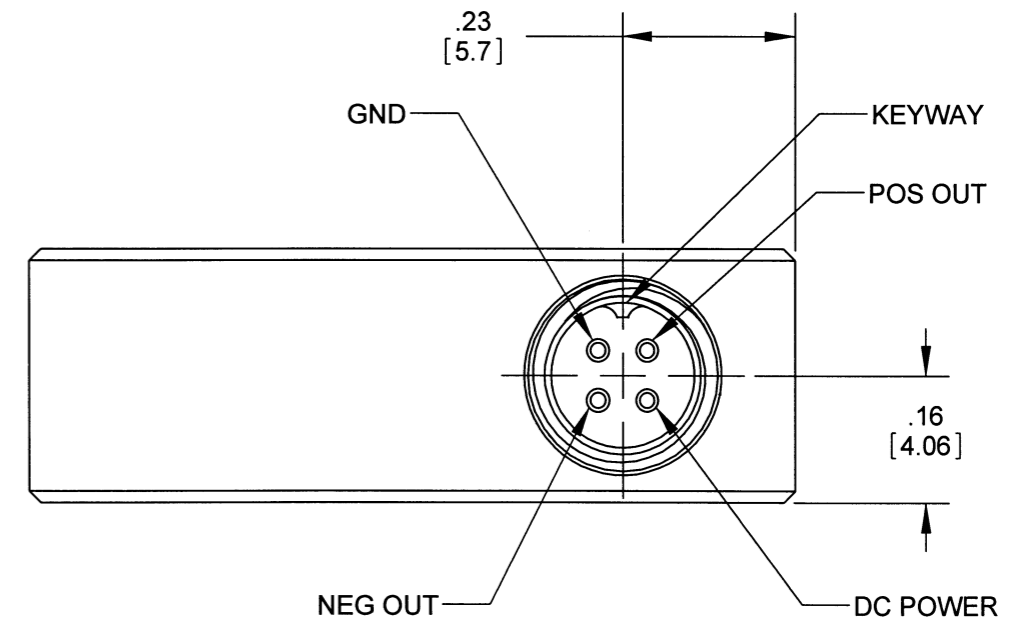
REVISIONS					
REV.	ECN	DESCRIPTION	BY/DATE	CHK	APPR
B	5839	.31 WAS: .24	JS 03/12/09	JA	JV



1/4-28 4 PIN CONNECTOR

2X Ø.127 THRU [3.23]

MODEL NO.	REV	ECN	RANGE
7500A1	B	5839	2g
7500A2	B	5839	5g
7500A3	B	5839	10g
7500A4	B	5839	25g
7500A5	B	5839	50g
7500A6	B	5839	100g
7500A7	B	5839	200g
7500A8	B	5839	400g



1 DIMENSIONS IN BRACKETS [X.XX] ARE IN MILLIMETERS.
NOTES: UNLESS OTHERWISE SPECIFIED

DRILL HOLE SIZE	TOLERANCE	UNLESS OTHERWISE SPECIFIED: INTERPRET DIM & TOL PER ASME Y14.5M - 1994. REMOVE BURRS. COUNTERSINK INTERNAL THDS 90° TO MAJOR DIA. CHAM EXT THDS 45° TO MINOR DIA. THD LENGTHS AND DEPTHS ARE FOR MIN FULL THDS. THDS PER MIL-S-7742. DIMENSIONS APPLY AFTER FINISHING
.0135 THRU .125	+ .004 / - .001	
.1260 THRU .250	+ .005 / - .001	
.2510 THRU .500	+ .006 / - .001	
.5010 THRU .750	+ .008 / - .001	
.7510 THRU 1.000	+ .010 / - .001	
1.001 THRU 2.000	+ .012 / - .001	

THIRD ANGLE PROJECTION USA

63
ALL MACHINED SURFACES:
TOTAL RUNOUT WITHIN .005.
BREAK SHARP EDGES .005 TO .010.
MACHINED FILLET RADII .005 TO .015.
WELDING SYMBOLS PER AWS A2.4.
ABBREVIATIONS PER MIL-STD-12.

UNLESS OTHERWISE SPECIFIED: DIMENSIONS ARE IN INCHES. TOLERANCES ARE:		CONTRACT NO.	
DECIMALS .XX ± .010 .XXX ± .005	ANGLES ± 1°		
MATERIAL: TITANIUM	FINISH:	APPROVALS	DATE
		ORIG	TMD
		CHK	CES
		APP	CES
		APP	
DO NOT SCALE DRAWING			8/16/06
			05/23/07
			05/23/07

DYTRAN **MASTER**
INSTRUMENTS, INC. **ONLY IF IN RED** Chatsworth, CA

TITLE: **OUTLINE/INSTALLATION DRAWING**

SIZE B	CAGE CODE 2W033	DWG NO 127-7500A	REV B
SCALE: 4:1	SOLIDWORKS	SHEET 1 of 1	



SPECIFICATIONS, SERIES 7500A ACCELEROMETER

PERFORMANCE BY MODEL NUMBER (Vs = +9 to +32Vdc, Tc=+25°C)

	<u>7500A1</u>	<u>7500A2</u>	<u>7500A3</u>	<u>7500A4</u>	<u>7500A5</u>	<u>7500A6</u>	<u>7500A7</u>	<u>7500A8</u>	<u>UNITS</u>
Input Range	±2	±5	±10	±25	±50	±100	±200	±400	g
Frequency Range (3dB)	0-400	0-600	0-1000	0-1500	0-2000	0-2500	0-2500	0-2500	Hz
Sensitivity, [1] Differential, ±10%	1000	400	200	80	40	20	10	5	mV/g
Output Noise (typical), Differential	8	9	10	25	50	100	200	400	µg rms/√Hz
Maximum Mechanical Shock	5000	5000	5000	5000	5000	5000	5000	5000	gpk

PERFORMANCE FOR ALL MODEL NUMBERS (Vs = +9 to +32Vdc, Tc=+25°C), Differential Mode

	MIN	NOM	MAX	UNITS
Transverse Sensitivity		1	2	%
Bias Calibration Error	7500A1		4.0	% of span
	7500A2 thru A7		1.5	% of span
Bias Temperature Shift [2]	7500A1	100	200	(ppm of span)/°C
	7500A2 thru A7	50	100	(ppm of span)/°C
Scale Factor Calibration Error [3]		1	2	%
Scale Factor Temperature Shift [2]	7500A1 thru A3	-250	+150	ppm/°C
	7500A4 thru A7	-150	+150	ppm/°C
Non-Linearity [4]	7500A1 thru A5		0.3	% of span
	7500A6, A7		0.5	% of span
Power Supply Rejection Ratio	50	>65		dB
Output Impedance		1		Ω
Output Common Mode Voltage		2.45		VDC
Operating Voltage	9		32	VDC
Operating Current (AOP & AON open)		12	14	mA DC
Operating Temperature Range	-55		+125	°C

PHYSICAL PARAMETERS FOR ALL MODEL NUMBERS

Case Material	titanium alloy
Connector Location	side
Connector Type	¼-28 thread, 4-pin
Mating Cable (ref)	6854AXX
Mounting Provision	two #4 or M3 screws
Environmental Seal	hermetic

	MIN	NOM	MAX	UNITS
Case Length		1.00		inch
Case Width		1.00		inch
Case Height		0.33		inch
Mounting Hole Spacing		.825		inch
Mass		13		grams

NOTES:

- [1] Single ended sensitivity is half of values shown
- [2] Over the rated temperature range
- [3] 100g versions and above are tested from -65g to +65g
- [4] -90% to +90% of Full Scale

SUPPLIED ACCESSORIES:

(2) MOUNTING SCREWS, 4-40 x .5 inch