

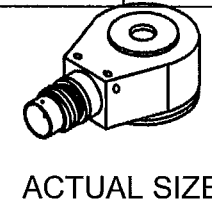
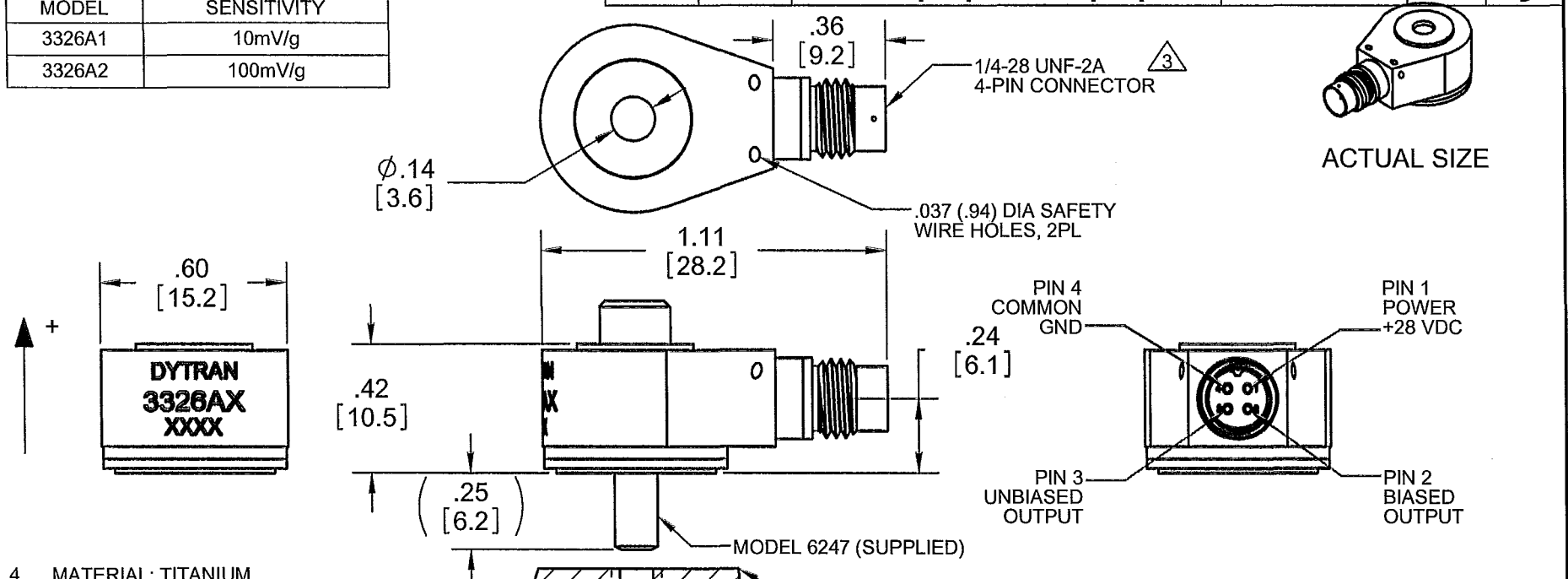
**PROPRIETARY AND CONFIDENTIAL**

THE INFORMATION CONTAINED IN THIS DRAWING IS THE SOLE PROPERTY OF DYTRAN INSTRUMENTS INC. ANY REPRODUCTION IN PART OR AS A WHOLE WITHOUT THE WRITTEN PERMISSION OF DYTRAN INSTRUMENTS INC. IS PROHIBITED

**REVISIONS**

REV	ECN	DESCRIPTION	BY/DATE	CHK	APPR
A	6644	INITIAL RELEASE	JS 10/20/10	RA	DV
B	8254	.36 [9.2] WAS: .33 [8.4], 1.11 [28.2] WAS: 1.08 [27.5]	JS 01/19/12	<i>RA</i>	<i>AVS</i>

MODEL	SENSITIVITY
3326A1	10mV/g
3326A2	100mV/g



4. MATERIAL: TITANIUM

3 MATES WITH DYTRAN 6896AXX CABLE (XX- LENGTH IN FEET)

2. ARROW INDICATES DIRECTION OF ACCELERATION FOR POSITIVE OUTPUT

1. WEIGHT: 10 GRAMS APPROX.

NOTES: UNLESS OTHERWISE SPECIFIED

MOUNTING RECOMMENDATIONS: PREPARE FLAT MOUNTING SURFACE  $\phi .60$  [15.2] ( $\phi .50$  [12.7] MIN), FLAT TO  $.001$ TIR. DRILL AND TAP 6-32 UNC-2B  $\nabla .300$  [7.62] MIN. RECOMMENDED MOUNTING TORQUE: 6 LB-IN +3/-0 LB IN. FOR BEST FREQUENCY RESPONSE ACCELEROMETER MUST CONTACT MOUNTING SURFACE OVER ENTIRE MOUNTING SURFACE OF ACCELEROMETER

USED ON	NEXT ASSY
APPLICATION	
THIRD ANGLE PROJECTION USA	
<p>UNLESS OTHERWISE SPECIFIED: INTERPRET DIM &amp; TOL PER ASME Y14.5M - 1994. REMOVE BURRS. COUNTERSINK INTERNAL THDS 90° TO MAJOR DIA. CHAM EXT THDS 45° TO MINOR DIA. THD LENGTHS AND DEPTHS ARE FOR MIN FULL THDS. THDS PER MIL-S-7742. DIMENSIONS APPLY AFTER FINISHING.</p> <p>ALL MACHINED SURFACES. TOTAL RUNOUT WITHIN .005. BREAK SHARP EDGES .005 TO .010. MACHINED FILLET RADII .005 TO .015. WELDING SYMBOLS PER AWS A2.4. ABBREVIATIONS PER MIL-STD-12.</p>	

UNLESS OTHERWISE SPECIFIED: DIMENSIONS ARE IN INCHES. DIMENSIONS IN BRACKETS [ ] ARE IN MILLIMETERS TOLERANCES ARE: INCHES METRIC ANGLES .XX ±.03 .X ±0.8 ±1° .XXX ±0.10 .XX ±0.25	
MATERIAL	
FINISH	
DO NOT SCALE DRAWING	

CONTRACT NO.		
APPROVALS		DATE
ORIG	JS	03/26/10
CHK	RA	10/23/10
APP	DV	10/27/10
APP		

**DYTRAN INSTRUMENTS, INC.** **MASTER ONLY IF IN RED**  
Chatsworth, CA

TITLE: **OUTLINE / INSTALLATION DRAWING MODEL 3326A**

SIZE	CAGE CODE	DWG. NO.	REV
<b>A</b>	<b>2W033</b>	<b>127-3326A</b>	<b>B</b>
SCALE: 2:1		SOLIDWORKS	SHEET 1 OF 1

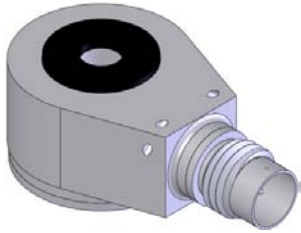
**MODEL NUMBER**  
**3326A2**

**PERFORMANCE SPECIFICATION**

**DOC NO.**  
**PS3326A2**

**ACCELEROMETER, VDC POWER**

REV B, ECN 8681, 05/31/12



- OPERATES FROM +28VDC
- 360° CABLE ORIENTATION
- AIRBORNE APPLICATIONS

**PHYSICAL**

Weight, Max  
Mounting Provision  
Connector, side exit [6]  
Material Body

Type

Material

	ENGLISH		SI	
Weight, Max	0.35	oz	10	grams
Mounting Provision	Ø.162 thru hole		Ø.162 thru hole	
Connector, side exit [6]	4 PIN		4 PIN	
Material Body	TITANIUM		TITANIUM	

**PERFORMANCE**

Sensitivity +/- 10% [1]  
Range F.S. For ± 5 Volts Output  
Frequency Range, ± 5%  
Resonant Frequency  
Equivalent Electrical Noise Floor  
Linearity [2]  
Transverse Sensitivity, Max.  
Strain Sensitivity @250µε

Sensitivity +/- 10% [1]	100	mV/g	10.19	mV/ m/s <sup>2</sup>
Range F.S. For ± 5 Volts Output	± 50	g pk	± 490	m/s <sup>2</sup>
Frequency Range, ± 5%	4 to 2000	Hz	4 to 2000	Hz
Resonant Frequency	> 31	kHz	> 31	kHz
Equivalent Electrical Noise Floor	0.0001	g rms	0.001	m/s <sup>2</sup> rms
Linearity [2]	± 1%	%F.S	± 1%	%F.S
Transverse Sensitivity, Max.	5%		5%	
Strain Sensitivity @250µε	0.011	g/µε	0.11	m/s <sup>2</sup> µε

**ENVIRONMENTAL**

Maximum Vibration  
Maximum Shock  
Temperature Range  
Seal  
Coefficient Of Thermal Sensitivity  
Magnetic Sensitivity @ 100 Gauss (0,01 Tesla)

Maximum Vibration	500	±gpk	4905	± m/s <sup>2</sup> pk
Maximum Shock	4000	±gpk	39240	± m/s <sup>2</sup> pk
Temperature Range	-60 to +225	°F	-51 to 107	°C
Seal	Hermetic		Hermetic	
Coefficient Of Thermal Sensitivity	0.033	%/°F	0.059	%/°C
Magnetic Sensitivity @ 100 Gauss (0,01 Tesla)	0.000012	g/Gauss	1.18	m/s <sup>2</sup> /T

**ELECTRICAL**

Supply Current [3]  
Compliance Voltage Range  
Output Impedance TYP  
Bias Voltage  
Discharge Time Constant  
Output Signal Polarity [4]  
Electrical Isolation [5]

Supply Current [3]	<6	mA	<6	mA
Compliance Voltage Range	+20 to +32	V	+20 to +32	V
Output Impedance TYP	100	Ω	100	Ω
Bias Voltage	+11 to +13	VDC	+11 to +13	VDC
Discharge Time Constant	0.1 to 1.0	sec	0.1 to 1.0	sec
Output Signal Polarity [4]	positive		positive	
Electrical Isolation [5]	10	GΩ	10	GΩ

**This family also includes:**

Model	Sensitivity (mV/g)	Range (Gpeak)	Resolution (Grms)	Oper. Temp(°F)	TC
3326A1	10	500	0.0004	-60 to +225	0.1 to 1.0

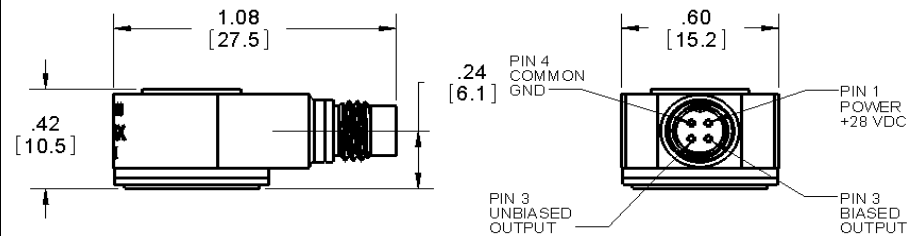
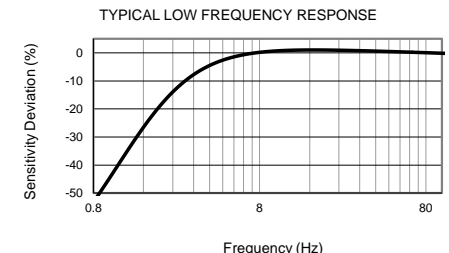
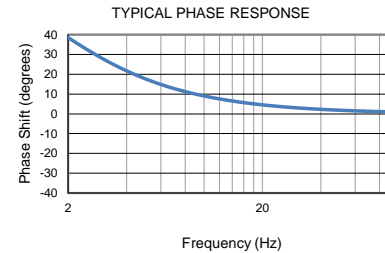
Refer to the performance specifications of the products in this family for detailed description.

**Supplied Accessories**

- 1) Accredited calibration certificate (ISO 17025)
- 2) Model 6247 mounting screw (6-32)

**Notes:**

- [1] Measured at 100 Hz, 1 grams per ISA RP 37.2.
  - [2] Measured using zero-based best straight-line method, % of F.S. or any lesser range.
  - [3] The sensor is operating from regular VDC power supply and has a current limiting circuit built-in
  - [4] For acceleration into base
  - [5] Electrical ground isolated from sensor mounting surface.
  - [6] Mates with Dytran 6896AXX cable (XX- length of cable in feet)
- [4] In the interest of constant product improvement, we reserve the right to change specifications without notice.



Units on the line drawing are in inches, units in brackets are in millimeters. Refer to 127-3326A for more information.



21592 Marilla Street, Chatsworth, California 91311 Phone: 818.700.7818 Fax:818.700.7880  
www.dytran.com For permission to reprint this content, please contact info@dytran.com