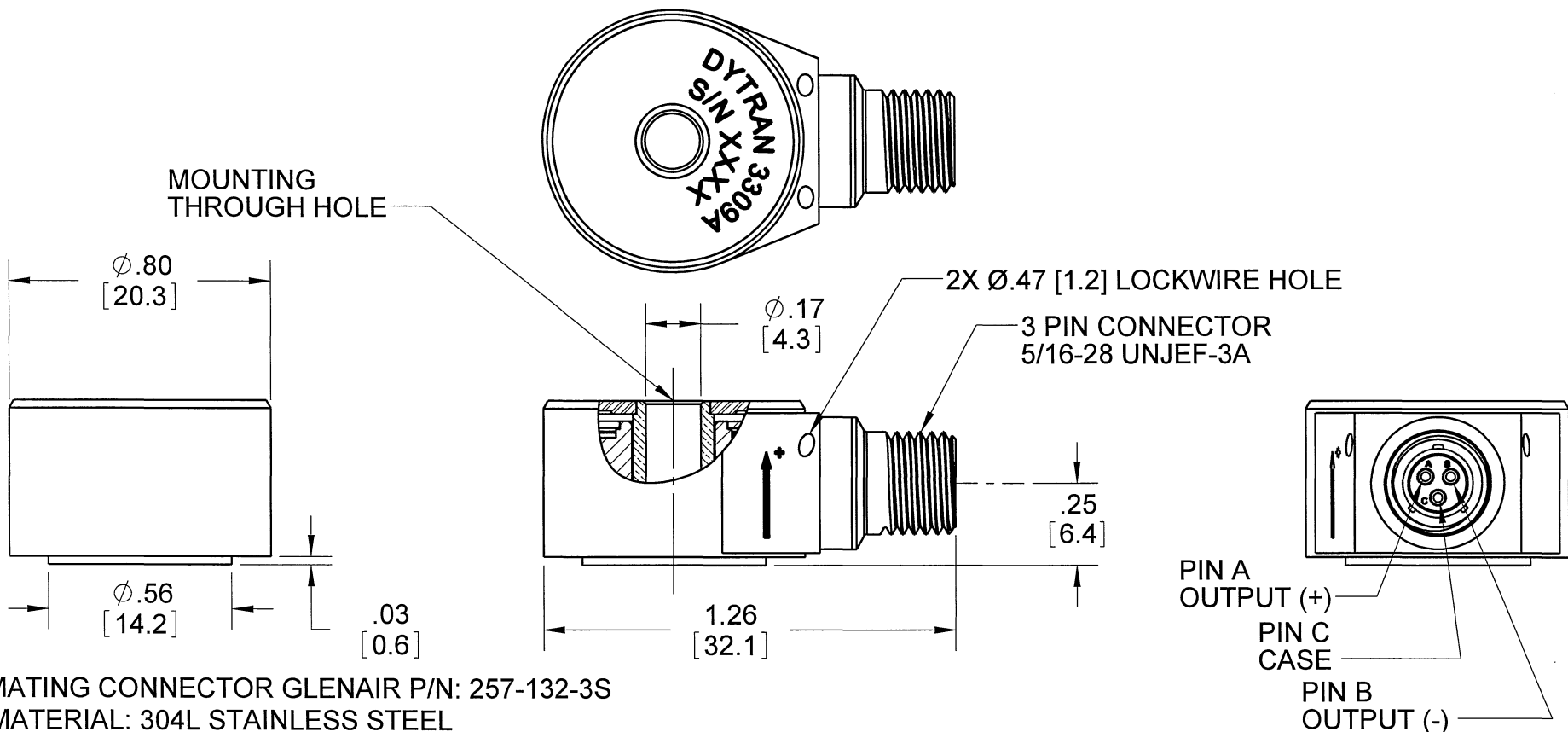


**PROPRIETARY AND CONFIDENTIAL**

THE INFORMATION CONTAINED IN THIS DRAWING IS THE SOLE PROPERTY OF DYTRAN INSTRUMENTS INC. ANY REPRODUCTION IN PART OR AS A WHOLE WITHOUT THE WRITTEN PERMISSION OF DYTRAN INSTRUMENTS INC. IS PROHIBITED

**REVISIONS**

REV	ECN	DESCRIPTION	BY/DATE	CHK	APPR
A	6784	INITIAL RELEASE	RA, 05/24/10	JS	<i>[Signature]</i>



- 3. MATING CONNECTOR GLENAIR P/N: 257-132-3S
- 2. MATERIAL: 304L STAINLESS STEEL
- 1. WEIGHT: 25.5 GRAMS APPROX

NOTES: UNLESS OTHERWISE SPECIFIED.

USED ON	NEXT ASSY	UNLESS OTHERWISE SPECIFIED: INTERPRET DIM & TOL PER ASME Y14.5M - 1994. REMOVE BURRS. COUNTERSINK INTERNAL THDS 90° TO MAJOR DIA. CHAM EXT THDS 45° TO MINOR DIA. THD LENGTHS AND DEPTHS ARE FOR MIN FULL THDS. THDS PER MIL-S-7742. DIMENSIONS APPLY AFTER FINISHING.
APPLICATION		
THIRD ANGLE PROJECTION USA		UNLESS OTHERWISE SPECIFIED: DIMENSIONS ARE IN INCHES. DIMENSIONS IN BRACKETS [ ] ARE IN MILLIMETERS TOLERANCES ARE: INCHES METRIC ANGLES .XX ± .03 .X ± 0.8 ± 1° .XXX ± .010 .XX ± 0.25
ALL MACHINED SURFACES. TOTAL RUNOUT WITHIN .005. BREAK SHARP EDGES .005 TO .010. MACHINED FILLET RADII .005 TO .015. WELDING SYMBOLS PER AWS A2.4. ABBREVIATIONS PER MIL-STD-12		

CONTRACT NO.	
APPROVALS	DATE
ORIG RA	05/14/10
CHK JS	05/24/10
APP <i>[Signature]</i>	5/24/10
APP	
DO NOT SCALE DRAWING	

**DYTRAN INSTRUMENTS, INC.** **MASTER ONLY IF IN RED** Chatsworth, CA

**TITLE: OUTLINE/INSTALLATION DRAWING 3309A**

SIZE <b>A</b>	CAGE CODE <b>2W033</b>	DWG. NO. <b>127-3309A</b>	REV <b>A</b>
SCALE: NONE		SOLIDWORKS	SHEET 1 OF 1

<b>MODEL NUMBER</b> <b>3309A</b>	<b>PERFORMANCE SPECIFICATION</b>		<b>DOC NO.</b> <b>PS3309A</b>
	<b>ACCELEROMETER, CHARGE MODE</b>		REV A, ECN6784, 05/17/10



Actual size

- INTERNALLY CASE ISOLATED
- HERMETICALLY SEALED
- HIGH FREQUENCY
- HIGH TEMPERATURE

**PHYSICAL**

	ENGLISH		SI	
Weight	0.893	oz	25.5	grams
Mounting Provision	Ø.16 Thru Hole		Ø4.1 Thru Hole	
Connector (Mighty Mouse), side exit	3 Pin	Type	3 Pin	
Material	304L		304L	

**PERFORMANCE**

Sensitivity +/- 5% [1]	5	pC/g	0.51	pC/ m/s <sup>2</sup>
Range F.S. For ± 5 Volts Output	[2]	g pk	[2]	m/s <sup>2</sup> pk
Frequency Range, ± 3dB	[2] - 15,000		[2] - 15,000	
Frequency Range, ± 10%	[2]-10,000		[2]-10,000	
Frequency Range, ± 5%	[2]-5,000	Hz	[2]-5,000	Hz
Resonant Frequency	>20	KHz	>20	KHz
Linearity [3]	± 1	%F.S	± 1	%F.S
Transverse Sensitivity, Max.	5%		5%	

**ENVIRONMENTAL**

Maximum Vibration	5,000	±gpk	49000	± m/s <sup>2</sup> pk
Maximum Shock	10,000	±gpk	98000	± m/s <sup>2</sup> pk
Temperature Range (Operational)	-60 to +482	°F	-55 to +250	°C
Seal	Hermetic		Hermetic	
Coefficient Of Thermal Sensitivity	0.016	%/°F	0.032	%/°C
Base Strain Sensitivity	0.008	g/µε	0.0784	m/s <sup>2</sup> / µε
Base Isolation (1000VDC, 1 minute, 20 sec. ramp)[4]	>1	GΩ	>10	GΩ

**ELECTRICAL**

Capacitance, NOM	at 75°F	280	pF	280	pF
	at 482°F	320	pF	320	pF
Insulation Resistance, (across element)	75°F	1.00E+15	Ω	1.00E+15	Ω
	482°F	1.00E+12	Ω	1.00E+12	Ω

**This family also includes:**

Model	Sensitivity (mV/g)	Range (Gpeak)	Resolution (Grms)	Oper. Temp(°F)

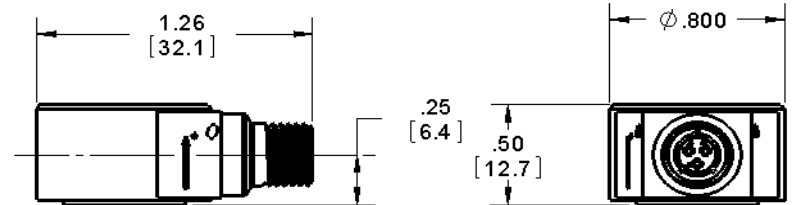
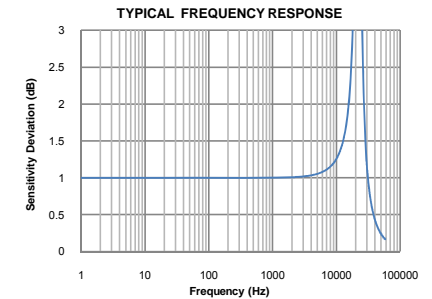
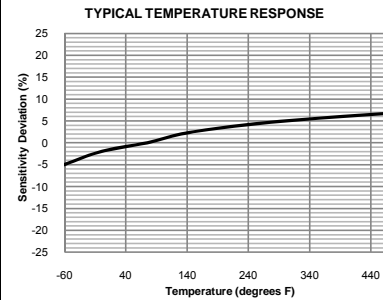
Please, refer to the performance specifications of the products in this family for detailed description.

**Supplied Accessories:**

- 1) Model 6238A2 Mounting Screw
- 2) Accredited Calibration Certificate (ISO 17025)

**Notes:**

- [1] Measured at 100 Hz, 1 G rms per ISA RP 37.2.
- [2] This parameter depends on the charge amplifier settings
- [3] Measured using zero-based best straight-line method, % of F.S. or any lesser range.
- [4] Electrical ground isolated from sensor case.
- [5] Recommended torque value 10 - 15 Lb-in.
- [6] In the interest of constant product improvement, we reserve the right to change specifications without notice.



Units on the line drawing are in inches, units in brackets are in millimeters. Refer to 127-3309A for more information.

