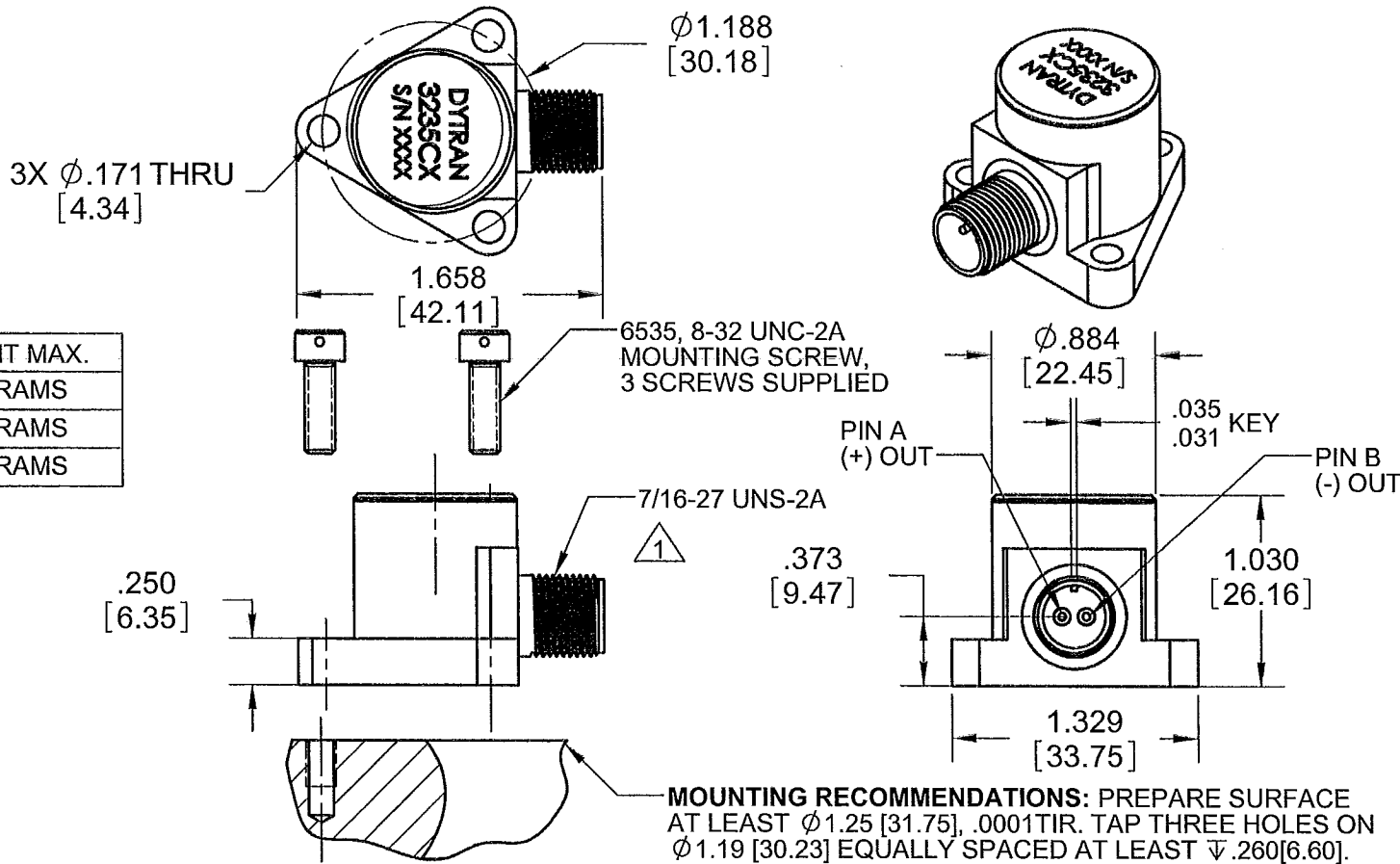


PROPRIETARY AND CONFIDENTIAL

THE INFORMATION CONTAINED IN THIS DRAWING IS THE SOLE PROPERTY OF DYTRAN INSTRUMENTS INC. ANY REPRODUCTION IN PART OR AS A WHOLE WITHOUT THE WRITTEN PERMISSION OF DYTRAN INSTRUMENTS, INC. IS PROHIBITED

REVISIONS

REV	ECN	DESCRIPTION	BY/DATE	CHK	APPR
C	8764	3235C1 IS: 69 GRAMS WAS: 55 GRAMS 3235C2 IS: 72 GRAMS WAS: 55 GRAMS 3235C3 IS: 75 GRAMS WAS: 55 GRAMS	AB 06/18/12		<i>aws</i>



MODEL	SENSITIVITY	WEIGHT MAX.
3235C1	50pC/G	69 GRAMS
3235C2	100pC/G	72 GRAMS
3235C3	200pC/G	75 GRAMS

MOUNTING RECOMMENDATIONS: PREPARE SURFACE AT LEAST $\phi 1.25$ [31.75], .0001TIR. TAP THREE HOLES ON $\phi 1.19$ [30.23] EQUALLY SPACED AT LEAST $\nabla .260$ [6.60]. RECOMMENDED MOUNTING TORQUE 12 LB-IN.

2. CASE MATERIAL: 304L

MATES WITH GLENAIR G345-1 PLUG

NOTES: UNLESS OTHERWISE SPECIFIED

USED ON _____ NEXT ASSY _____

APPLICATION _____

THIRD ANGLE PROJECTION USA

UNLESS OTHERWISE SPECIFIED:
 INTERPRET DIM & TOL PER ASME Y14.5M - 1994.
 REMOVE BURRS.
 COUNTERSINK INTERNAL THDS 90° TO MAJOR DIA.
 CHAM EXT THDS 45° TO MINOR DIA.
 THD LENGTHS AND DEPTHS ARE FOR MIN FULL THDS.
 THDS PER MIL-S-7742.
 DIMENSIONS APPLY AFTER FINISHING.

ALL MACHINED SURFACES. TOTAL RUNOUT WITHIN .005.
 BREAK SHARP EDGES .005 TO .010.
 MACHINED FILLET RADII .005 TO .015.
 WELDING SYMBOLS PER AWS A2.4.
 ABBREVIATIONS PER MIL-STD-12.

UNLESS OTHERWISE SPECIFIED:
 DIMENSIONS ARE IN INCHES. DIMENSIONS IN BRACKETS ARE IN MILLIMETERS.
 TOLERANCES ARE:
 DECIMALS ANGLES
 INCH METRIC ± 1°
 .XX ± .03 .X ± 0.8
 .XXX ± .010 .XX ± 0.25

MATERIAL _____

FINISH _____

DO NOT SCALE DRAWING

CONTRACT NO. _____

APPROVALS		DATE
ORIG	JS	07/01/09
CHK	EP	01/25/10
APP	DV	01/28/10
APP		

DYTRAN INSTRUMENTS, INC. **MASTER** **ONLY IF IN RED** Chatsworth, CA

TITLE: **OUTLINE/INSTALLATION DRAWING 3235C**

SIZE A	CAGE CODE 2W033	DWG. NO. 127-3235C	REV C
SCALE: 1:1	SOLIDWORKS	SHEET 1 OF 1	

MODEL NUMBER	PERFORMANCE SPECIFICATION		DOC NUMBER PS3235C2
3235C2	Accelerometer, Single Axis Differential, Charge Mode		REV C, ECN 8764, 06/18/12



Actual Size

- HIGH-TEMPERATURE OPERATION
- HIGH CHARGE SENSITIVITY
- EXTREME STABILITY OVER TEMPERATURE
- BALANCED DIFFERENTIAL OUTPUT

PHYSICAL

	ENGLISH		SI	
Weight, Max Size	1.9	oz	72	grams
Length	1.65	inch	42.11	mm
Height	1.03	inch	26.16	mm
Mounting, Three-hole Connector[1]	Diameter 1.19	inch	30.23	mm
	Material St. Steel		St. Steel	
	Type 2-Pin		2-Pin	
Housing	Material 304L		304L	
Isolation	Pins to Housing 10GΩ MIN		10GΩ MIN	
Sensing Element	Material Ceramic		Ceramic	
	Mode Compression		Compression	

PERFORMANCE

Sensitivity [2] +/-5%	100	pC/g	10.19	pC/m/s ²
Acceleration Range	[3]	Gpeak	[3]	m/s ² peak
Frequency Range, ±15%	[4] - 10,000	Hz	[4]- 10,000	Hz
Resonance Frequency	35	kHz	35	kHz
Transverse Sensitivity	5	%	5	%
Insulation Resistance (75°F)	250	GΩ	250	GΩ
Insulation Resistance (400°F)	10	GΩ	10	GΩ
Insulation Resistance (450°F)	100	MΩ	100	MΩ
Insulation Resistance (550°F)[5]	15	MΩ	15	MΩ
Operating Temperature	-60 to 550	°F	-51 to 287	°C
Capacitance, pin to pin	3200	pF	3200	pF
Unbalance between pins	<2	pF	<2	pF
Linearity	1	%	1	%

ENVIRONMENTAL

Shock, MAX	2000	g pk	19620	m/s ²
Vibration, MAX	1000	g pk	9810	m/s ²
Seal	Hermetic		Hermetic	
Magnetic Sensitivity at 100 Gauss	0.000008	g/Gauss	0.000078	m/s ² /Gauss
Base Strain Sensitivity	0.09	g/με	0.88	m/s ² /με

This family also includes:

Model	Sensitivity (pC/g)	Range (Gpeak)	Oper. Temp(°F)
3235C1	50	[3]	-60 to 550[5]
3235C3	200	[3]	-60 to 550[5]

Please, refer to the performance specifications of the products in this family for detailed description

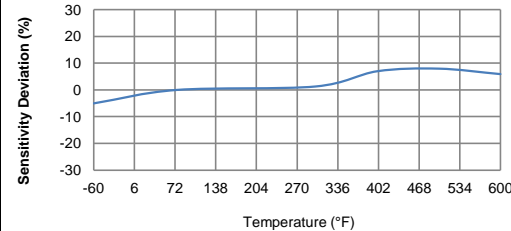
Supplied Accessories:

- 1) Model 6535 Mounting Screw, 8-32 thread (3)
- 2) Accredited Calibration Certificate (ISO 17025)

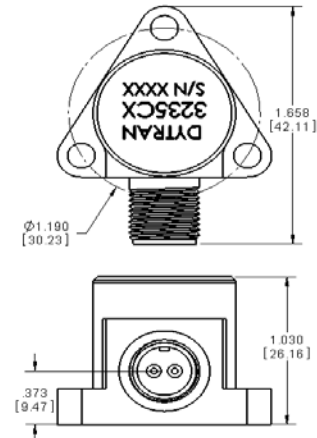
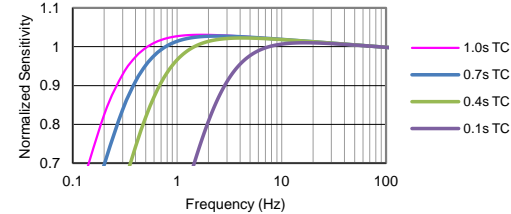
Notes:

- [1] 2-Pin, Glass-To-Metal Seal connector. Mates With Glenair G345-1 Plug.
- [2] Actual Sensitivity Is Given On A Calibration Certificate
- [3] Depends On the Gain Setting Of The Charge Amplifier Used
- [4] Low Frequency Response Is the Function Of the Discharge Time Constant Of The Charge Amplifier Used. Please, Refer To The Plot Below For Frequency Response For Different Time Constants
- [5] The unit is able to withstand short exposure of 600F temperature
- [6] In the interest of constant product improvement, we reserve the right to change specifications without notice.

TYPICAL TEMPERATURE RESPONSE



TYPICAL LOW FREQUENCY RESPONSE [4]



Units on the line drawing are in inches, units in brackets are in millimeters. Refer to 127-3235C for more information.



21592 Marilla Street, Chatsworth, California 91311 Phone: 818.700.7818 Fax:818.700.7880
www.dytran.com For permission to reprint this content, please contact info@dytran.com