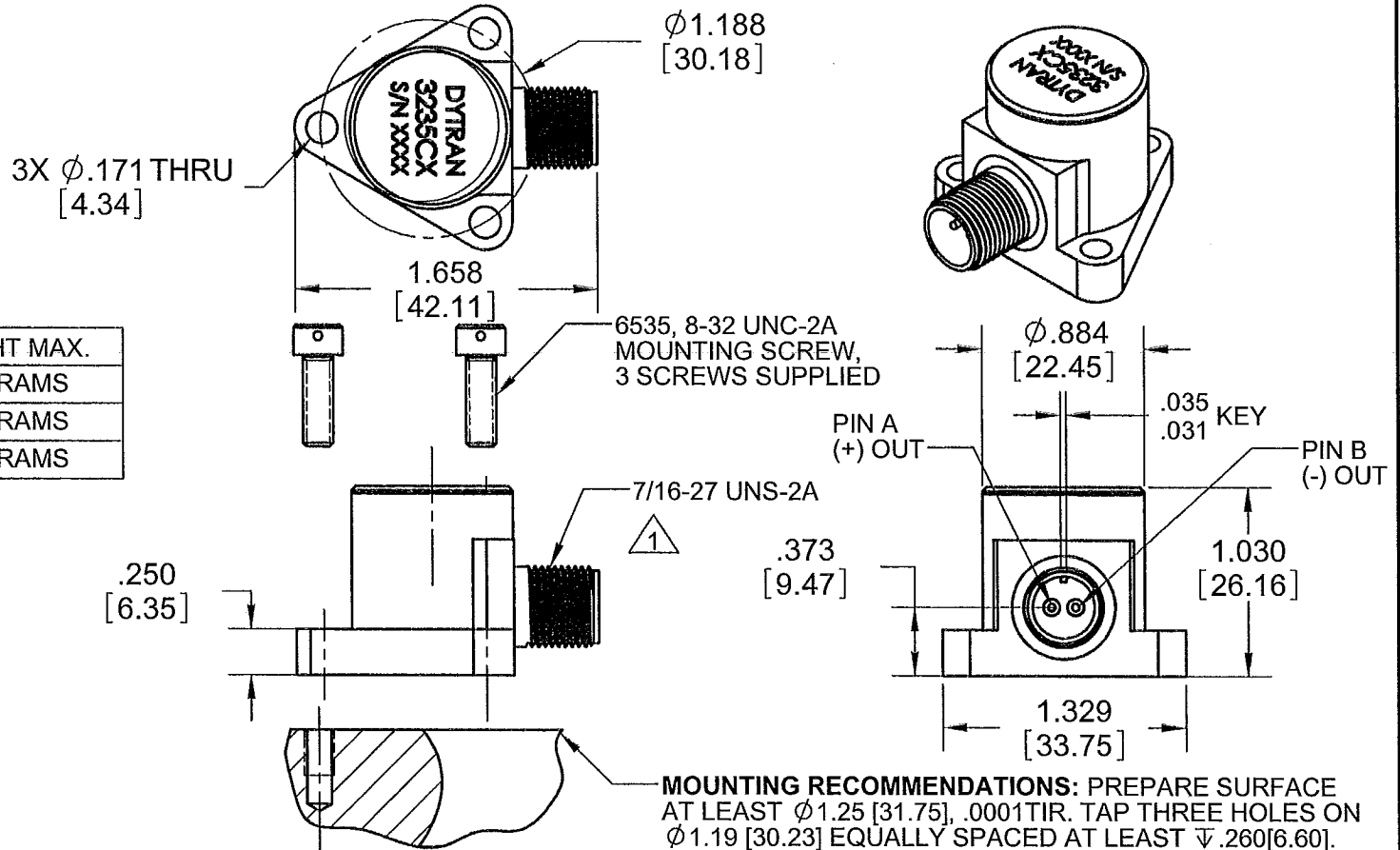


PROPRIETARY AND CONFIDENTIAL

THE INFORMATION CONTAINED IN THIS DRAWING IS THE SOLE PROPERTY OF DYTRAN INSTRUMENTS INC. ANY REPRODUCTION IN PART OR AS A WHOLE WITHOUT THE WRITTEN PERMISSION OF DYTRAN INSTRUMENTS, INC. IS PROHIBITED

REVISIONS

| REV | ECN | DESCRIPTION | BY/DATE | CHK | APPR |
|-----|------|---|-------------|-----|------------|
| C | 8764 | 3235C1 IS: 69 GRAMS WAS: 55 GRAMS 3235C2 IS: 72 GRAMS WAS: 55 GRAMS 3235C3 IS: 75 GRAMS WAS: 55 GRAMS | AB 06/18/12 | | <i>aws</i> |



| MODEL | SENSITIVITY | WEIGHT MAX. |
|--------|-------------|-------------|
| 3235C1 | 50pC/G | 69 GRAMS |
| 3235C2 | 100pC/G | 72 GRAMS |
| 3235C3 | 200pC/G | 75 GRAMS |

2. CASE MATERIAL: 304L

MATES WITH GLENAIR G345-1 PLUG

NOTES: UNLESS OTHERWISE SPECIFIED

MOUNTING RECOMMENDATIONS: PREPARE SURFACE AT LEAST $\phi 1.25$ [31.75], .0001TIR. TAP THREE HOLES ON $\phi 1.19$ [30.23] EQUALLY SPACED AT LEAST $\nabla .260$ [6.60]. RECOMMENDED MOUNTING TORQUE 12 LB-IN.

| | | | |
|--|-----------|--|--|
| UNLESS OTHERWISE SPECIFIED: INTERPRET DIM & TOL PER ASME Y14.5M - 1994. REMOVE BURRS. COUNTERSINK INTERNAL THDS 90° TO MAJOR DIA. CHAM EXT THDS 45° TO MINOR DIA. THD LENGTHS AND DEPTHS ARE FOR MIN FULL THDS. THDS PER MIL-S-7742. DIMENSIONS APPLY AFTER FINISHING. | | UNLESS OTHERWISE SPECIFIED: DIMENSIONS ARE IN INCHES. DIMENSIONS IN BRACKETS ARE IN MILLIMETERS. TOLERANCES ARE: DECIMALS ANGLES INCH METRIC .XX ± .03 .X ± 0.8 .XXX ± .010 .XX ± 0.25 | |
| USED ON | NEXT ASSY | MATERIAL | |
| APPLICATION | | FINISH | |
| THIRD ANGLE PROJECTION USA | | DO NOT SCALE DRAWING | |

| | | | |
|--------------|----|----------|--|
| CONTRACT NO. | | | |
| APPROVALS | | DATE | |
| ORIG | JS | 07/01/09 | |
| CHK | EP | 01/25/10 | |
| APP | DV | 01/28/10 | |
| APP | | | |

DYTRAN INSTRUMENTS, INC. **MASTER** ONLY IF IN RED
Chatsworth, CA

TITLE: **OUTLINE/INSTALLATION DRAWING 3235C**

| | | | |
|---------------|------------------------|---------------------------|--------------|
| SIZE A | CAGE CODE 2W033 | DWG. NO. 127-3235C | REV C |
| SCALE: 1:1 | | SOLIDWORKS | SHEET 1 OF 1 |

| | | | |
|---------------------|---|--|--------------------------------------|
| MODEL NUMBER | PERFORMANCE SPECIFICATION | | DOC NUMBER PS3235C1 |
| 3235C1 | Accelerometer, Single Axis Differential, Charge Mode | | REV C, ECN 8764, 06/18/12 |



Actual Size

- HIGH-TEMPERATURE OPERATION
- HIGH CHARGE SENSITIVITY
- EXTREME STABILITY OVER TEMPERATURE
- BALANCED DIFFERENTIAL OUTPUT

PHYSICAL

| | ENGLISH | | SI | |
|-----------------------------------|-------------|------|-------------|-------|
| Weight, Max Size | 1.9 | oz | 69 | grams |
| Length | 1.65 | inch | 42.11 | mm |
| Height | 1.03 | inch | 26.16 | mm |
| Mounting, Three-hole Connector[1] | 1.19 | inch | 30.23 | mm |
| | St. Steel | | St. Steel | |
| | 2-Pin | | 2-Pin | |
| | 304L | | 304L | |
| | 10GΩ MIN | | 10GΩ MIN | |
| | Ceramic | | Ceramic | |
| | Compression | | Compression | |

PERFORMANCE

| | | | | |
|----------------------------------|--------------|-------|--------------|-----------------------|
| Sensitivity [2] +/-5% | 50 | pC/g | 5.10 | pC/m/s ² |
| Acceleration Range | [3] | Gpeak | [3] | m/s ² peak |
| Frequency Range, ±15% | [4] - 10,000 | Hz | [4] - 10,000 | Hz |
| Resonance Frequency | 35 | kHz | 35 | kHz |
| Transverse Sensitivity | 5 | % | 5 | % |
| Insulation Resistance (75°F) | 250 | GΩ | 250 | GΩ |
| Insulation Resistance (400°F) | 10 | GΩ | 10 | GΩ |
| Insulation Resistance (450°F) | 100 | MΩ | 100 | MΩ |
| Insulation Resistance (550°F)[5] | 15 | MΩ | 15 | MΩ |
| Operating Temperature | -60 to 550 | °F | -51 to 287 | °C |
| Capacitance, pin to pin | 3200 | pF | 3200 | pF |
| Unbalance between pins | <2 | pF | <2 | pF |
| Linearity | 1 | % | 1 | % |

ENVIRONMENTAL

| | | | | |
|-----------------------------------|----------|---------|----------|-------------------------|
| Shock, MAX | 2000 | g pk | 19620 | m/s ² |
| Vibration, MAX | 1000 | g pk | 9810 | m/s ² |
| Seal | Hermetic | | Hermetic | |
| Magnetic Sensitivity at 100 Gauss | 0.000008 | g/Gauss | 0.000078 | m/s ² /Gauss |
| Base Strain Sensitivity | 0.09 | g/με | 0.88 | m/s ² /με |

This family also includes:

| Model | Sensitivity (pC/g) | Range (Gpeak) | Oper. Temp(°F) |
|--------|--------------------|---------------|----------------|
| 3235C2 | 100 | [3] | -60 to 550[5] |
| 3235C3 | 200 | [3] | -60 to 550[5] |

Please, refer to the performance specifications of the products in this family for detailed description

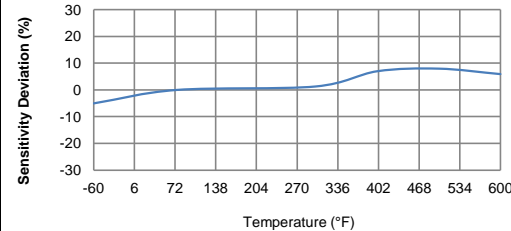
Supplied Accessories:

- 1) Model 6535 Mounting Screw, 8-32 thread (3)
- 2) Accredited Calibration Certificate (ISO 17025)

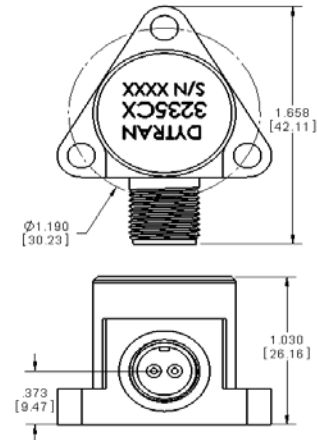
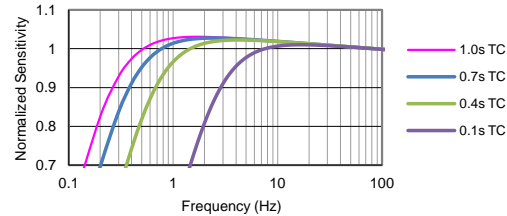
Notes:

- [1] 2-Pin, Glass-To-Metal Seal connector. Mates With Glenair G345-1 Plug.
- [2] Actual Sensitivity Is Given On A Calibration Certificate
- [3] Depends On the Gain Setting Of The Charge Amplifier Used
- [4] Low Frequency Response Is the Function Of the Discharge Time Constant Of The Charge Amplifier Used. Please, Refer To The Plot Below For Frequency Response For Different Time Constants
- [5] The unit is able to withstand short exposure of 600F temperature
- [6] In the interest of constant product improvement, we reserve the right to change specifications without notice.

TYPICAL TEMPERATURE RESPONSE



TYPICAL LOW FREQUENCY RESPONSE [4]



Units on the line drawing are in inches, units in brackets are in millimeters. Refer to 127-3235C for more information.



21592 Marilla Street, Chatsworth, California 91311 Phone: 818.700.7818 Fax: 818.700.7880
 www.dytran.com For permission to reprint this content, please contact info@dytran.com