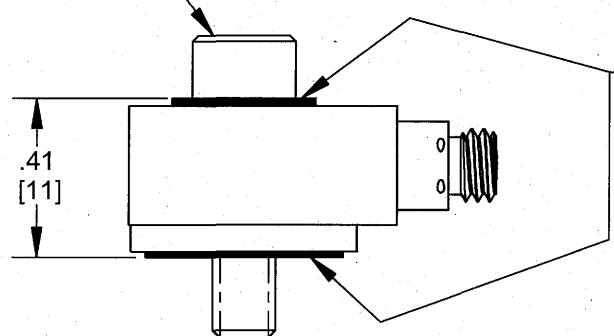
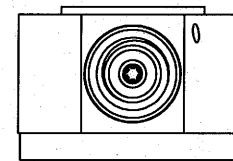


STANDARD #8 OR M4 BOLT



HARD ANODIZED ELECTRICALLY ISOLATED SURFACES



3211A1: 10mV/g

3211A2: 100mV/g

EXCEPT AS OTHERWISE NOTED

ALL DIMENSIONS IN INCHES  
TOLERANCE: XXX = ± .005 XX = ± .01

SURFACE FINISH EXCEPT AS NOTED 63/ ✓

BREAK EDGES TO DEBURR .005 / .015  
RADIUS OR CHAMFER

FILLETS: .005 MAX R

**DYTRAN**

INSTRUMENTS, INC.

CHATSWORTH, CA

SCALE 2:1	REV -	DATE -	ECN -
DATE 4/1/2005	PART NO. MODEL 3211A		
DRAWN PML	CHECKED	MATERIAL	
APPROVED PML 12.905	NEXT ASSEMBLY		USED ON
TITLE OUTLINE / INSTALLATION DRAWING MODEL 3211A ACCELEROMETER			DWG NO. 127-3211A
SHEET 1 OF 1			



## SPECIFICATIONS, SERIES 3211A IEPE ACCELEROMETERS

### SPECIFICATIONS BY MODEL

MODEL	RANGE F.S. (g)	MAXIMUM SHOCK (g)	SENSITIVITY (+/-5%) (mV/g)	ELECTRICAL NOISE (g)	NATURAL FREQUENCY (kHz)
3211A1	500	5000	10	0.0005	>31
3211A2	50	5000	100	0.0001	>31

### COMMON SPECIFICATIONS

SPECIFICATION	VALUE	UNITS
DISCHARGE TIME CONSTANT	0.5 to 1.2	SECOND
LOW FREQUENCY -3db POINT	0.32	Hz
FREQUENCY RANGE, +/-5%	1 to 10	kHz
LINEARITY [1]	±1	% F.S.
TRANSVERSE SENSITIVITY, MAXIMUM	5	%
OUTPUT IMPEDANCE, NOM.	120	OHMS
OUTPUT VOLTAGE BIAS	+11 to +13	VDC
SUPPLY CURRENT RANGE [2]	2 to 20	mA
COMPLIANCE (SUPPLY) VOLTAGE RANGE [4]	+18 to +20	VDC
OPERATING TEMPERATURE RANGE	-60 to +250	°F
SIZE (DIA x HEIGHT) [3]	0.6 x 0.42	INCHES
WEIGHT MAX	10	GRAMS
CONNECTOR, SIDE MOUNTED	10-32 COAXIAL	
MATERIAL, HOUSING/CONNECTOR	TITANIUM ALLOY	
MOUNTING PROVISION, 3211A/3211AT/3211AM	THRU HOLE FOR #8 OR M4 THREAD SCREW	
ENVIRONMENTAL SEAL	HERMETIC	
ISOLATION, CASE TO MOUNTING SURFACE, MIN	10	MΩ

[1] Percent of full scale or any lesser designated full scale range, zero-based best fit straight line method.

[2] Power only with Dytran or Dytran approved current source type power unit. Do not supply power without current limiting. You will destroy the integral electronics. This will void the warranty.

[3] Height measured from mounting surface to top of connector. Integral mounting studs are .20 in. long.