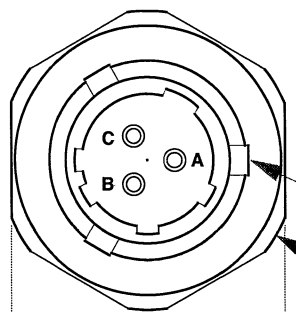


**DYTRAN PROPRIETARY AND CONFIDENTIAL**  
 THE INFORMATION CONTAINED IN THIS DRAWING IS THE SOLE PROPERTY OF  
 DYTRAN INSTRUMENTS, INC. AND ANY REPRODUCTION IN PART OR AS A  
 WHOLE OR ANY OTHER DISSEMINATION OF THIS INFORMATION WITHOUT THE  
 WRITTEN PERMISSION OF DYTRAN INSTRUMENTS, INC. IS PROHIBITED.

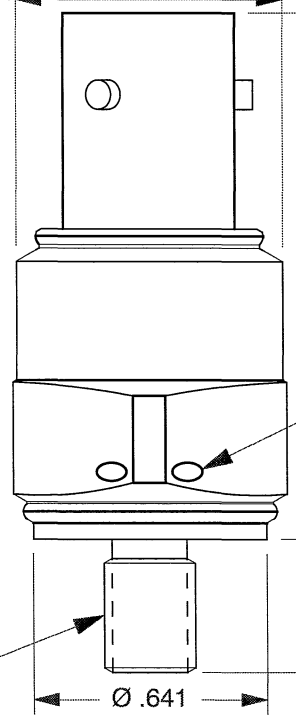
REV	ECN	DESCRIPTION	BY/DATE	CHK	APPR
A	7284	INITIAL RELEASE	RA, 12/22/10	JS	<i>[Signature]</i>

**PINOUT:**  
 PIN A-CASE GROUND  
 PIN B-SIG/PWR GND RET  
 PIN C-SIG/PWR



.75 [19] HEX  
 Ø .73 [18.5]

3-PIN BAYONET STYLE  
 MS3443H898PN CONNECTOR,  
 HERMETIC. SEE NOTE 6 FOR MATING  
 CONNECTOR SUGGESTIONS.  
 Ø .811, HEX CORNERS

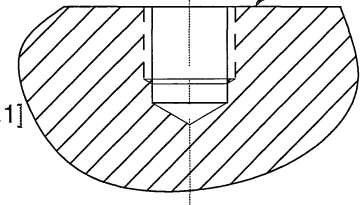


ARROW INDICATES SENSE AND  
 DIRECTION OF ACCELERATION FOR  
 POSITIVE-GOING OUTPUT VOLTAGE

1.43 [36.2]

Ø.047 [1.2] LOCKWIRE  
 HOLES, TYP 2 HOLES

**MOUNTING SURFACE  
 PREPARATION:**  
 PREPARE FLAT CIRCULAR  
 AREA APPROX. Ø.750[19], FLAT  
 TO WITHIN .0005 T.I.R. AT  
 CENTER, TAP 1/4-28 UNF-2B X  
 .38 [9.7] DEEP MIN



.36 [9.1]

1/4-28  
 THREAD

Ø .641  
 [16.28]

MOUNTING SURFACE

- 6 TYPICAL MATING CONNECTORS ARE:  
 MS3476W898SN (STANDARD  
 PLUG, CADMIUM FINISH). FOR PLUG W/  
 RFI FINGERS: MS3475 W898SN. OTHER  
 VARIATIONS ARE AVAILABLE.
- 5. MATERIAL, BODY & CONNECTOR: 300  
 SERIES STAINLESS STEEL.
- 4. SENSING ELEMENT: SINGLE CRYSTAL SHEAR.
- 3. POWER/SIGNAL GROUND  
 INSULATED FROM OUTER CASE.  
 INSULATION RESISTANCE: > 10  
 GOHMS.
- 2. SEALING: HERMETIC.
- 1. WEIGHT: 43 GRAMS.

NOTES: UNLESS OTHERWISE SPECIFIED

		<b>MASTER ONLY IF IN RED</b>		CHATSWORTH, CA.	
SCALE 2X	DESIGN NC	DATE 10/10/07			
DRAWN RA	DATE 12/22/10	PART NO. -			
CHECKED -	DATE -	MAT'L -			REV A
APPROVED <i>[Signature]</i>	DATE 1/10/11	NEXT ASSEMBLY -	USED ON -		
TITLE <b>OUTLINE/INSTALLATION, MODEL 3062B1</b>			DWG NO. <b>127-3062B1</b>		
DO NOT SCALE DRAWING			SHEET 1 OF 1		

USED ON	NEXT ASSY
APPLICATION	
THIRD ANGLE PROJECTION USA	

UNLESS OTHERWISE SPECIFIED:  
 INTERPRET DIM & TOL PER ASME  
 Y14.5M-1994. REMOVE BURRS  
 COUNTERSINKS INTERNAL THDS 90°  
 TO MAJOR DIA CHAM EXT THDS 45°  
 TO MAJOR DIA. THD LENGTHS AND  
 DEPTHS ARE FOR THDS PER MIL-S-  
 7742.  
 DIMENSIONS APPLY AFTER  
 FINISHING.

UNLESS OTHERWISE SPECIFIED  
 DIMENSIONS ARE IN INCHES. DIMENSION  
 IN BRACKETS [ ] ARE IN MILLIMETERS.  
 TOLERANCES ARE:  
 INCHES METRIC ANGLES  
 .XX ±.03 .X ± 0.8 ± 1°  
 .XXX ±.010 .XX ± 0.25

ALL MACHINED SURFACES <sup>63</sup>  
 TOTAL RUNOUT WITHIN .005 BREAK  
 SHARP EDGES .005 TO .010 MACHINE  
 FILLET RADI .005 TO .015. WELDING  
 SYMBOLS PER AWS A2.4  
 ABBREVIATIONS PER MIL-STD-12

<b>Model Number</b> 3062B1	<b>PERFORMANCE SPECIFICATION</b>	<b>DOC NO</b> <b>PS3062B1</b>
	<b>HIGH FREQUENCY IEPE QUARTZ SHEAR ACCELEROMETERS</b>	REV A, ECN 7284, 01/10/10



- HIGH FREQUENCY PERFORMANCE
- EXCELLENT LINEARITY
- ELECTRICALLY ISOLATED
- HERMETICALLY SEALED

**PHYSICAL**  
Weight, Max  
Connector  
Type  
Pins[1]  
Mounting Provision : Integral Stud  
Material : Housing, Base and Connector  
Element Style

ENGLISH		SI	
1.51	oz	43	grams
Bayonet Style		Bayonet Style	
3 PIN		3 PIN	
1/4 - 28 UNF-2A Stud		1/4 - 28 UNF-2A Stud	
300 Series Stainless Steel		300 Series Stainless Steel	
Single Crystal Shear		Single Crystal Shear	

**PERFORMANCE**  
Sensitivity, ±5% [2]  
Range F.S for ± 5 Volts Output  
Frequency Range  
±5%  
±15%  
Resonant Frequency, Nominal  
Equivalent Electrical Noise Floor  
Linearity [3]  
Maximum Transverse sensitivity  
Strain Sensitivity

25	mV/g	2.55	mV/m/s <sup>2</sup>
±200	g	±1962	m/s <sup>2</sup>
0.48 to 10000	Hz	0.48 to 10000	Hz
0.25 to 15000	Hz	0.25 to 15000	Hz
>30	kHz	>30	kHz
0.009	Grms	0.088	m/s <sup>2</sup> rms
± 1%	% F.S.	± 1%	% F.S.
5	%	5	%
0.002	g/με	0.02	m/s <sup>2</sup> /με

**ENVIRONMENTAL**  
Maximum Vibration  
Maximum Shock  
Temperature Range  
Seal

±600	G's,peak	±5886	m/s <sup>2</sup> peak
±3000	G's,peak	±29430	m/s <sup>2</sup> peak
-60 to +305	°F	-54 to 152	°C
Hermetic		Hermetic	

**Electrical**  
Supply Current Range [4]  
Compliance Voltage Range  
Output Impedance, Typ  
Bias Voltage  
Discharge Time Constant  
Output Signal Polarity for Acceleration Towards Top  
Electrical Isolation, Ground (Pin B) to case (pin A)

2 to 20	mA	2 to 20	mA
+ 18 to +30	Volts	+ 18 to +30	Volts
100	Ω	100	Ω
+7.5 to +9.5	VDC	+7.5 to +9.5	VDC
1.0 to 1.8	Sec	1.0 to 1.8	Sec
Positive		Positive	
10	GΩ,min	10	GΩ,min

**This family also includes:**

Model	Sensitivity	Range F.S ± 5 Volts	Max Vibration/Shock	Resonant Frequency

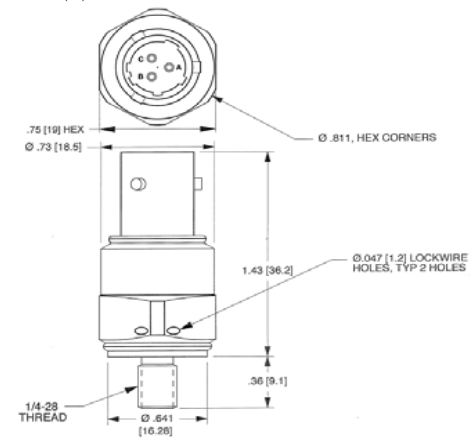
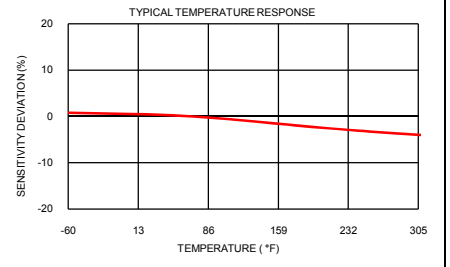
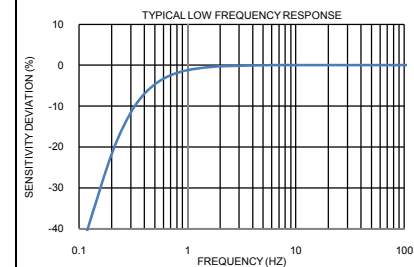
Please, refer to the performance specifications of the products in this family for detailed description

**Supplied Accessories:**

- 1) Accredited calibration certificate (ISO 17025)

**Notes:**

- [1] Pin A-caseground, Pin B - sig/pwr return, Pin C - sig/pwr
- [2] Measure at 100Hz, 1 Grms per ISA RP 37.2
- [3] Measure using zero-based straight line method, % of F.S. or any lesser range.
- [4] Do not apply power to this system without current limiting, 20 mA MAX. To do so will destroy the IC charge amplifier.
- [5] Lock wire holes are included in the base
- [6] In the interest of constant product improvement, we reserve the right to change specifications without notice.



Units on the line drawing are in inches, units in brackets are in millimeters. Refer to 127-3062B1 for more information.



21592 Marilla Street, Chatsworth, California 91311 Phone: 818.700.7818 Fax: 818.700.7880 www.dytran.com  
For permission to reprint this content, please contact info@dytran.com