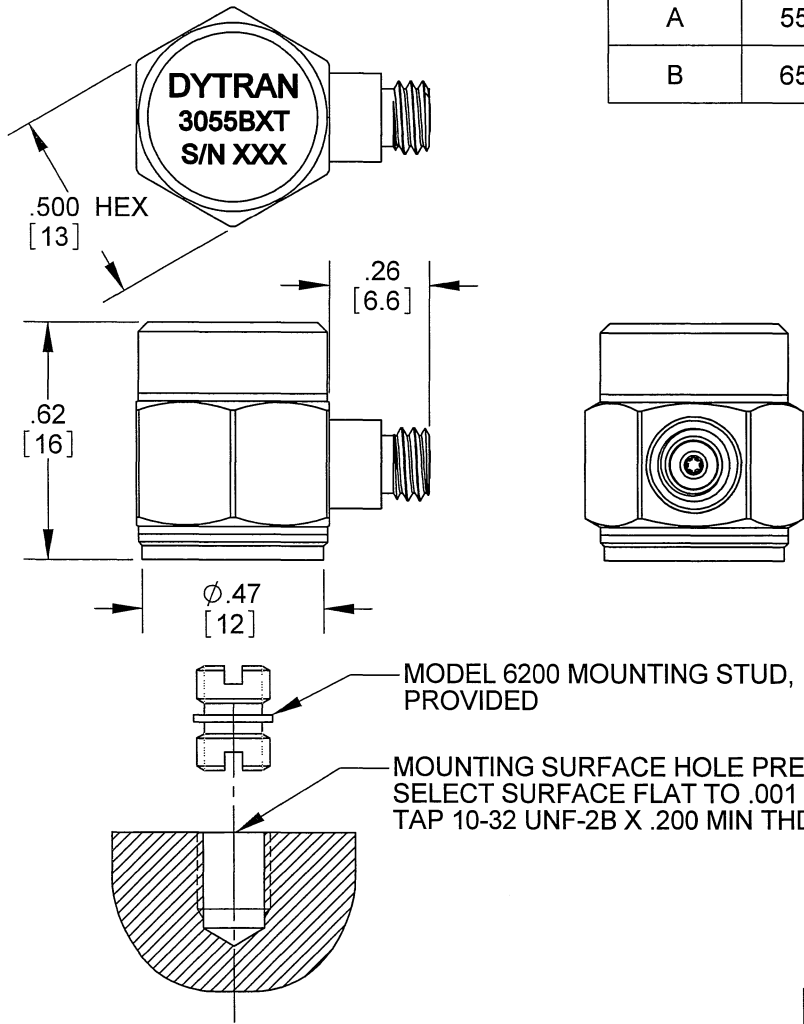


**PROPRIETARY AND CONFIDENTIAL**

THE INFORMATION CONTAINED IN THIS DRAWING IS THE SOLE PROPERTY OF DYTRAN INSTRUMENTS INC. ANY REPRODUCTION IN PART OR AS A WHOLE WITHOUT THE WRITTEN PERMISSION OF DYTRAN INSTRUMENTS, INC. IS PROHIBITED

**REVISIONS**

REV.	ECN	DESCRIPTION	BY/DATE	CHK	APPR
A	5585	INITIAL RELEASE OF 3055B4T	RA 11/7/08	DV	DV
B	6550	INITIAL RELEASE OF 3055B6T	EP 02/10/10	<i>DV</i>	<i>GA</i>



MODEL	REV	ECN	SENSITIVITY	FULL SCALE, ±5V
3055B1T	-	-	10 mV/g	±500 g
3055B2T	-	-	100 mV/g	±50 g
3055B3T	-	-	500 mV/g	±10 g
3055B4T	A	5585	50mV/g	±100 g
3055B6T	A	6550	200mV/g	±25 g

APPLICATION

THIRD ANGLE PROJECTION  
USA

UNLESS OTHERWISE SPECIFIED:  
INTERPRET DIM & TOL PER ASME Y14.5M - 1994.  
REMOVE BURRS.  
COUNTERSINK INTERNAL THDS 90° TO MAJOR DIA.  
CHAM EXT THDS 45° TO MINOR DIA.  
THD LENGTHS AND DEPTHS ARE FOR MIN FULL THDS.  
THDS PER MIL-S-7742.  
DIMENSIONS APPLY AFTER FINISHING.  
ALL MACHINED SURFACES.  
TOTAL RUNOUT WITHIN .005.  
BREAK SHARP EDGES .005 TO .010.  
MACHINED FILLET RADII .005 TO .015.  
WELDING SYMBOLS PER AWS A2.4.  
ABBREVIATIONS PER MIL-STD-12.

UNLESS OTHERWISE SPECIFIED:  
DIMENSIONS ARE IN INCHES.  
TOLERANCES ARE:

DECIMALS	ANGLES
.XX ± .010	± 1°
.XXX ± .005	

MATERIAL

FINISH

**DO NOT SCALE DRAWING**

CONTRACT NO.

APPROVALS		DATE
ORIG	PML	10/14/05
CHK	PML	10/14/05
APP	PML	10/14/05
APP		

**DYTRAN INSTRUMENTS, INC.** Chatsworth, CA

**MASTER ONLY IF IN RED**

TITLE: **OUTLINE/INSTALLATION DRAWING 3055BT SERIES ACCELEROMETER (TEDS)**

SIZE	CAGE CODE	DWG. NO.	REV
<b>A</b>	<b>2W033</b>	<b>127-3055BT</b>	<b>B</b>

SCALE: 2:1      SOLIDWORKS      SHEET 1 OF 1



**SPECIFICATIONS**  
**MODEL SERIES 3055BT IEPE ACCELEROMETERS WITH TEDS**

<b>SPECIFICATION</b>	<b>VALUE</b>			<b>UNITS</b>
<b>PHYSICAL</b>				
WEIGHT	8.6			grams
SIZE, HEX x HEIGHT	.50 x 0.62			inches
MOUNTING PROVISION	10-32 UNF-2B X .200 deep			
CONNECTOR, RADially MOUNTED	10-32 coaxial			
MATERIAL, BASE, CAP & CONNECTOR	titanium			
SEISMIC ELEMENT TYPE	ceramic, planar shear			
<b>PERFORMANCE</b>				
	<b>3055B1T</b>	<b>3055B2T</b>	<b>3055B3T</b>	
SENSITIVITY, ± 5% [1]	10	100	500	mV/g
RANGE F.S. FOR ± 5 VOLTS OUTPUT	± 500	±50	±10	g
FREQUENCY RANGE, ± 5%	0.6 to 5000	1.0 to 5000	1.0 to 5000	Hz
± 10%	1 to 10,000	1 to 10,000	1 to 10,000	Hz
RESONANT FREQUENCY	>32	>32	>32	kHz
ELECTRICAL NOISE FLOOR (1Hz-10kHz)	0.004	0.0004	0.001	g rms
LINEARITY [2]	± 2	±2	±2	% F.S.
TRANSVERSE SENSITIVITY, MAX.	5	5	5	%
<b>ENVIRONMENTAL</b>				
	<b>3055B1T</b>	<b>3055B2T</b>	<b>3055B3T</b>	
MAXIMUM VIBRATION/SHOCK	600/5000	400/5000	200/5000	± g/g pk
TEMPERATURE RANGE, operational	-60 to +250	-60 to +250	-60 to +212	°F
TEMPERATURE RANGE, TEDS operation	-40 to +185	-40 to +185	-40 to +185	°F
SEAL, HERMETIC	Glass-to-metal and TIG welded			
COEFFICIENT OF THERMAL SENSITIVITY	.06	.06	.06	%/°F
<b>ELECTRICAL</b>				
	<b>3055B1T</b>	<b>3055B2T</b>	<b>3055B3T</b>	
SUPPLY CURRENT [3]	2 to 20	2 to 20	2 to 20	mA
COMPLIANCE VOLTAGE	+18 to +30	+18 to +30	+18 to +30	Vdc
OUTPUT IMPEDANCE, TYP.	20	120	210	Ω
BIAS VOLTAGE	+11 to +13	+11 to +13	+11 to +13	Vdc
DISCHARGE TIME CONSTANT	0.5 to 1.5	0.5 to 1.5	0.5 to 1.5	sec
OUTPUT SIGNAL POLARITY	positive			
FOR ACCELERATION TOWARD TOP				
ELECTRICAL ISOLATION, min	10	10	10	MΩ
CASE GROUND TO MOUNTING SURFACE				
IEPE SENSOR WITH TEDS FEATURE		PER IEEE 1451.4		

**Accessories supplied:** (1) Model 6200 mounting stud.

[1] Measured at 100 Hz, 1 g rms per ISA RP 37.2.

[2] Measured using zero-based best straight line method, % of F.S. or any lesser range.

[3] Do not apply power to this device without current limiting, 20 mA MAX. To do so will destroy the integral IC.