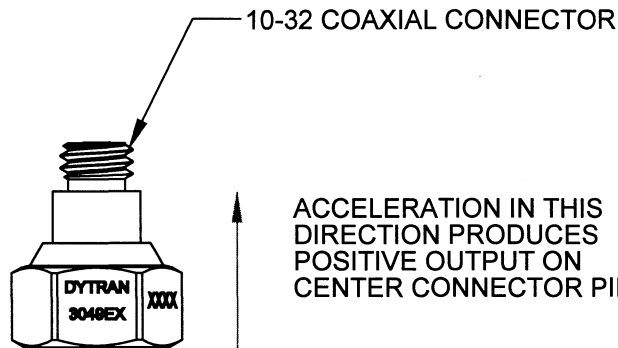
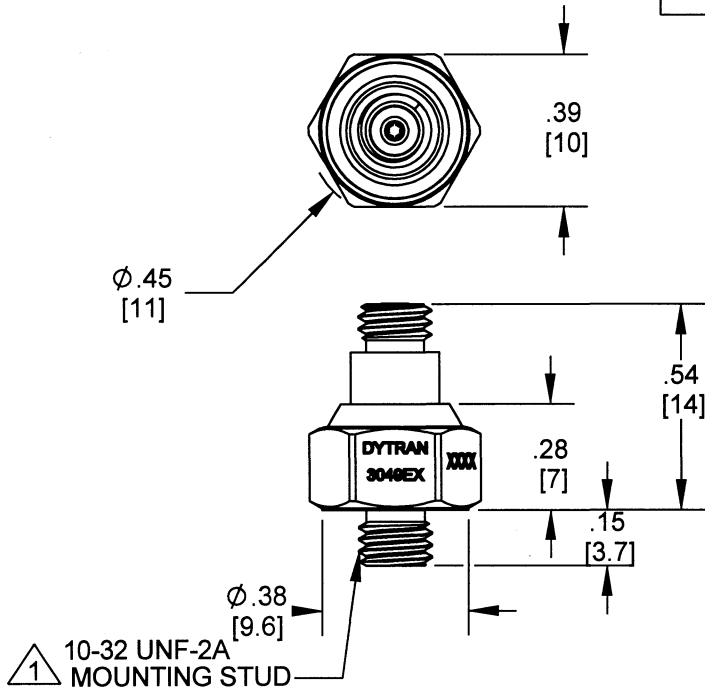


PROPRIETARY AND CONFIDENTIAL

THE INFORMATION CONTAINED IN THIS DRAWING IS THE SOLE PROPERTY OF DYTRAN INSTRUMENTS INC. ANY REPRODUCTION IN PART OR AS A WHOLE WITHOUT THE WRITTEN PERMISSION OF DYTRAN INSTRUMENTS, INC. IS PROHIBITED

REVISIONS

REV.	ECN	DESCRIPTION	BY/DATE	CHK	APPR
A	5743	ADDED NOTE 1	RA, 2/04/09	<i>fy</i> 2-13-09	<i>RAVS</i> 2/13/09



3049E 10mV/g
3049E2 100mV/g

3049E1 10mV/g
3049E3 100mV/g

1 MOUNTING TORQUE TO: 8-10 lb-in

NOTES: UNLESS OTHERWISE SPECIFIED

	MODEL	REV	ECN	DATE	SENSITIVITY	MOUNTING	WEIGHT
1	3049E	A	5743	2/04/09	10 mV/g	STUD	3.3 GRAMS
	3049E1	A	5743	2/04/09	10 mV/g	ADHESIVE	3.1 GRAMS
1	3049E2	A	5743	2/04/09	100 mV/g	STUD	3.3 GRAMS
	3049E3	A	5743	2/04/09	100 mV/g	ADHESIVE	3.1 GRAMS

3049E	
USED ON	NEXT ASSY
APPLICATION	
THIRD ANGLE PROJECTION	
USA	

UNLESS OTHERWISE SPECIFIED:
INTERPRET DIM & TOL PER ASME Y14.5M - 1994.
REMOVE BURRS.
COUNTERSINK INTERNAL THDS 90° TO MAJOR DIA.
CHAM EXT THDS 45° TO MINOR DIA.
THD LENGTHS AND DEPTHS ARE FOR MIN FULL THDS.
THDS PER MIL-S-7742.
DIMENSIONS APPLY AFTER FINISHING.
ALL MACHINED SURFACES.
TOTAL RUNOUT WITHIN .005.
BREAK SHARP EDGES .005 TO .010.
MACHINED FILLET RADII .005 TO .015.
WELDING SYMBOLS PER AWS A2.4.
ABBREVIATIONS PER MIL-STD-12.

UNLESS OTHERWISE SPECIFIED:
DIMENSIONS ARE IN INCHES.
DIMENSIONS IN BRACKETS [] ARE IN MILLIMETERS
TOLERANCES ARE:
INCHES METRIC ANGLES
.XX ± .03 X ± 0.8 ± 1°
.XXX ± .010 .XX ± 0.25

MATERIAL
FINISH
DO NOT SCALE DRAWING

CONTRACT NO.		
APPROVALS		DATE
ORIG	PML	12/19/05
CHK	PML	4/17/05
APP	PML	4/17/06
APP		

DYTRAN INSTRUMENTS, INC. **MASTER ONLY IF IN RED**
Chatsworth, CA

TITLE:
OUTLINE/INSTALLATION DRAWING, 3049E SERIES

SIZE	CAGE CODE	DWG. NO.	REV
A	2W033		A

SCALE: 4:1 SOLIDWORKS SHEET 1 OF 1



SPECIFICATIONS
MODEL SERIES 3049E Series IEPE ACCELEROMETERS

SPECIFICATION					VALUE	UNITS
PHYSICAL						
WEIGHT	3049E, 3049E2		3.3		grams	
	3049E1, 304E3		3.1		grams	
SIZE, HEX x HEIGHT (all models)			.39 x .54		inches	
MOUNTING PROVISION	3049E, 3049E2		10-32 integral stud x .15		inch	
	3049E1, 3049E3		adhesive			
CONNECTOR, TOP MOUNTED			10-32		coaxial	
MATERIAL, BASE, CAP & CONNECTOR			titanium alloy			
SEISMIC ELEMENT TYPE			ceramic, annular shear			
PERFORMANCE						
	3049E	3049E1	3049E2	3049E3		
SENSITIVITY, $\pm 5\%$ [1]	10	10	100	100	mV/g	
RANGE F.S. FOR ± 5 VOLTS OUTPUT	± 500	± 500	± 50	± 50	g	
FREQUENCY RANGE, $\pm 5\%$ (all models)			1 to 10,000		Hz	
RESONANT FREQUENCY			>35		kHz	
EQUIVALENT ELECTRICAL NOISE	.004	.004	.001	.001	grms	
BASE STRAIN SENSITIVITY	.004	.004	.004	.004	g/ $\mu\epsilon$	
LINEARITY [2] (all models)			± 2		% F.S.	
TRANSVERSE SENSITIVITY, MAX. (all models)			5		%	
ENVIRONMENTAL						
	3049E	3049E1	3049E2	3049E3		
MAXIMUM VIBRATION	600	600	200	200	g pk	
MAXIMUM SHOCK (all models)			5000		g pk	
TEMPERATURE RANGE min	-60	-60	-60	-60	$^{\circ}\text{F}$	
max	250	250	212	212	$^{\circ}\text{F}$	
SEAL, HERMETIC (all models)			glass-to-metal/welded			
COEFFICIENT OF THERMAL SENSITIVITY			.06		% $^{\circ}\text{F}$	
ELECTRICAL						
SUPPLY CURRENT [3]			2 to 20		mA	
COMPLIANCE VOLTAGE RANGE			+18 to +30		Volts	
OUTPUT IMPEDANCE, TYP.			100		Ω	
BIAS VOLTAGE.			+11 to +13		Vdc	
DISCHARGE TIME CONSTANT			0.5 to 1.2		Sec	
OUTPUT SIGNAL POLARITY			positive			
FOR ACCELERATION TOWARD TOP						
ELECTRICAL ISOLATION, MIN			10		M Ω	
CASE GROUND TO MOUNTING SURFACE						

Accessories supplied: none

[1] Measured at 100 Hz, 1 grms per ISA RP 37.2.

[2] Measured using zero-based best straight line method, % of F.S. or any lesser range.

[3] Do not apply power to this device without current limiting, 20 mA MAX. To do so will destroy the integral IC amplifier.