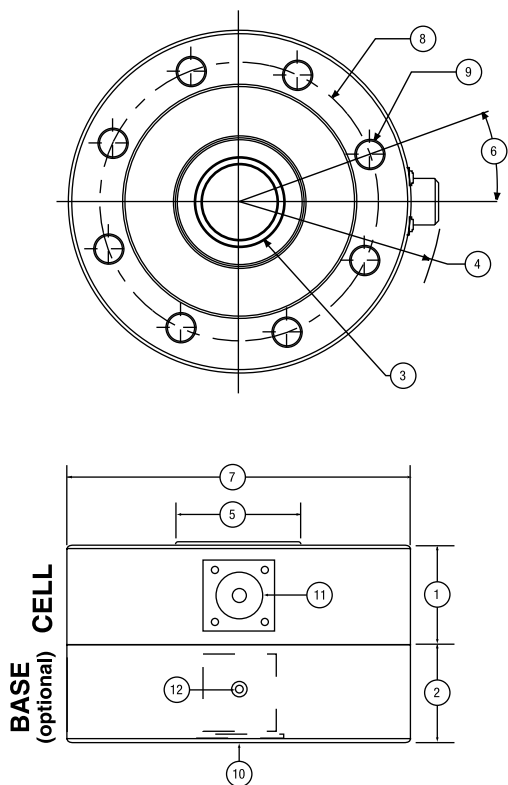


Model 2400 Standard Stainless Steel Load Cell

Capacities 10Klbf and 20Klbf

Why the Interface model 2400 Standard Stainless Steel Load Cell is the best in class:

- Proprietary Interface temperature compensated strain gages
- Stainless steel construction
- Welded diaphragm
- Tension and compression
- Compact size
- 10Klbf & 20Klbf capacity
- Counterbored mounting holes in 10Klbf model



DIMENSIONS

See Drawing	MODEL			
	2440		2450	
	CAPACITY (lbf)			
	10K		20K	
	inch	mm	inch	mm
①	1.80	45.7	1.80	45.7
②	1.75	44.5	1.75	44.5
③	1-14 UNF-3B		1 1/2-12 UNF-3B	
④	3.56	85.2	3.55	90.1
⑤	1.71	43.5	2.23	56.6
⑥	22.5°		20.0°	
⑦	5.50	139.7	6.00	152.4
⑧	4.50	114.3	4.88	123.8
⑨	.41	10.4	.53	13.5
	8 places		8 places	
⑩	1-14 UNF-3B		1 1/2-12 UNF-3B	
⑪	MS3102E-14S-6P			
⑫	Spanner holes 4 SPACED @ 90°			

SPECIFICATIONS

PARAMETERS	MODEL	
	2440	2450
	CAPACITY (lbf)	
	10K	20K
ACCURACY – (MAX ERROR)		
Static Error Band-% FS	±0.10	±0.10
Nonlinearity-% FS	±0.10	±0.10
Hysteresis-% FS	±0.08	±0.08
Nonrepeatability-% RO	±0.02	±0.02
Creep, in 20 min-%	±0.03	±0.05
TEMPERATURE		
Compensated Range-°F	15 to 115	15 to 115
Compensated Range-°C	-10 to 45	-10 to 45
Operating Range-°F	-65 to 200	-65 to 200
Operating Range-°C	-55 to 90	-55 to 90
Effect on Zero-%RO/°F – MAX	±0.0015	±0.0015
Effect on Output-%RO/°F – MAX	±0.0008	±0.0008
ELECTRICAL		
Rated Output-mV/V (Nominal)	3.0	3.0
Excitation Voltage-VDC – MAX	20	20
Bridge Resistance-Ohm (Nominal)	350	350
Zero Balance-% RO	±2.0	±2.0
Insulation Resistance-Megohm	5000	5000
MECHANICAL		
Safe Overload-% CAP	±150	±150
Deflection @ RO-inch	0.002	0.002
Optional Base-P/N	B323-2	B320-1
Natural Frequency-kHz	9.4	-
Weight-lb	6	9
Connector	MS3102E-14S-6P	
Seal	Environmental	
Flexure Material	Stainless steel	

OPTIONS

- Tension Base
- Submersible Cable
- Standardized Output
- Special Connectors
- Load Button
- Overload Protection
- Connector Protection
- Transducer Electronic Data Sheet (TEDS)

STANDARD CONFIGURATIONS

- MS3102E-14S-6P Connector (24xxBXM-nn)
- Installed Base (-B suffix)

ACCESSORIES

- Mating Connector
- Instrumentation
- Loading Hardware

Consult factory for more technical information