

# Model 2200 Calibration Column Load Cell (U.S. & Metric)

Why the Interface Model 2200 Calibration Column Load Cell is the best in class:

- Capacities from 100K – 200K lbf
- Performance to <0.10%FS
- Quadruple the gages of standard column cell
- Lightweight
- Compact
- E74 calibration



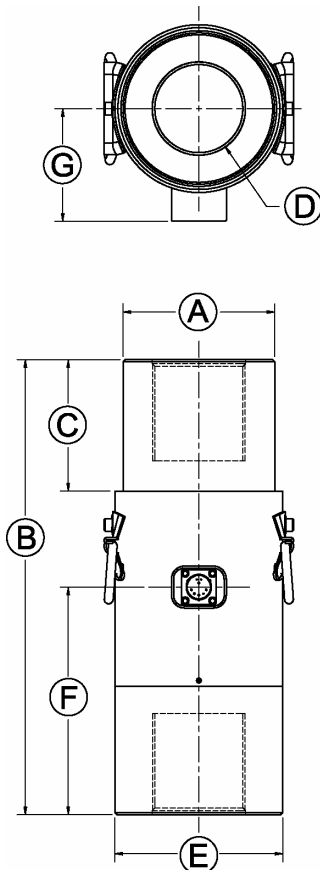
## OPTIONS\*

- Compression-only available (Ask factory for specifications and dimensions)
- Multiple bridge
- Standardized output
- ASTM E74 calibration
- Special thread size

## ACCESSORIES\*

- Mating connector
- Cable assembly

\*Please consult factory for additional information



## SPECIFICATIONS

<b>ACCURACY – (MAX ERROR)</b>	
Nonlinearity-% FS	±0.10
Hysteresis-% FS	±0.05
Nonrepeatability-% RO	±0.05
Creep, in 20 min-%	±0.05
<b>TEMPERATURE</b>	
Compensated Range-°F	15 to 115
Operating Range-°F	-30 to 175
Effect on Zero- % RO/°F	0.003
Effect on Output- % I°/F	0.003
<b>ELECTRICAL</b>	
Rated Output-mV/V (Nominal)	2.0 ±.20
Excitation - V AC/DC - Nominal	10
Excitation - V AC/DC - Maximum	15
Bridge Resistance-Ohm (Nominal)	350
Zero Balance - %RO	±1.0
Insulation Resistance - Megohm	>5000
<b>MECHANICAL</b>	
Safe Overload-% CAP	150
Connector	PTØ2E-12-8P
Weight	35/45 lb

## DIMENSIONS

See Drawing	MODEL	
	2230 (100K)	2240 (200K)
(A)	3.0	4.5
(B)	10.1	13.5
(C)	2.75	3.9
(D)	1.75-12UN-3B	2.75-8UN-3B
(E)	3.5	4.98
(F)	5.05	6.75
(G)	2.59	3.34