

Model WMC Rod End Load Cell

- Proprietary Interface temperature compensated strain gages
- Environmentally sealed
- Stainless steel construction
- Low deflection
- Tension & Compression



STANDARD CONFIGURATION

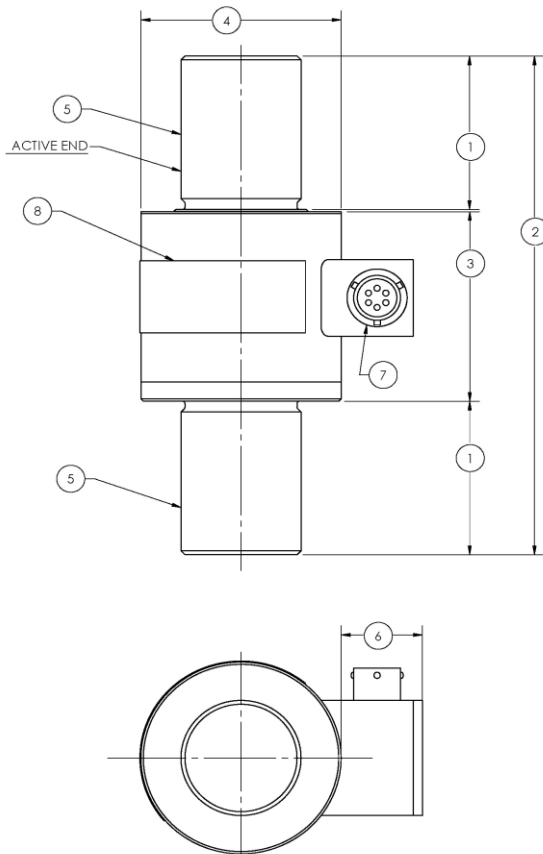
PTWIH-10-6P Connector

OPTIONS

- Integral Cable
- Standardized Output Amplifier

ACCESSORIES

Instrumentation



SPECIFICATIONS

ACCURACY – MAX	15K,20K,30K,50K 90, 130, 220 (kN)	100K	200K
Nonlinearity-% FS	±0.10	±0.15	±0.20
Hysteresis-% FS	±0.10	±0.15	±0.20
Nonrepeatability-% RO	±0.05		
Creep, in 20 min-%	±0.05		
TEMPERATURE			
Compensated Range-°F	15 to 115		
Compensated Range-°C	-10 to 45		
Operating Range-°F	-65 to 250		
Operating Range-°C	-54 to 121		
Effect on Output-%/°F-MAX	±0.004	±0.005	±0.005
Effect on Output-%/°C-MAX	±0.0072	±0.009	±0.009
Effect on Zero- % RO/°F-MAX	±0.0025	±0.005	±0.005
Effect on Zero- % RO/°C-MAX	±0.0045	±0.009	±0.009
ELECTRICAL			
Rated Output-mV/V (nominal)	2.0		
Zero Balance-%RO	±1.0		
Bridge Resistance-Ohm (nominal)	350 ±3.5		
Excitation Voltage-MAX	15 VDC		
Insulation Resistance-Megohm	>5000		
MECHANICAL			
Calibration	T & C		
Safe Overload-% CAP	150		
Deflection @ RO	0.004(in) 0.10(mm)	0.004	0.004
Weight-lb	4(lb) 1.8(kg)	14	34.4

DIMENSIONS

See Drawing	CAPACITY					
	15K, 20K, 30K, 50K lbf 90, 130, 220 (kN)		100K lbf		200K lbf	
	inch	mm	inch	mm	inch	mm
(1)	2.00	50.8	3.00	76.20	4.00	101.60
(2)	6.5	165.1	10.00	254.00	13.00	330.20
(3)	2.47	62.7	3.97	100.84	4.97	126.24
(4)	2.5	63.5	3.50	88.90	4.47	113.54
(5)	1.5 – 12 UNF M36 X 4		2.50 – 8 UN		3.50 – 8 UN	
(6)	1.01	25.7	1.28	32.51	1.36	34.54
(7)	PTWIH-10-6P Connector					
(8)	label					

WMC Rod End
04/06/12