



Accelerometer TM0782A

General Purpose, Industrial Piezoelectric Accelerometers

The TM0782A-K accelerometer kit consists of one accelerometer and one 5 meter cable. This accelerometer kit directly interfaces with ProvibTech's signal conditioners: DTM, TR transmitters, DM Dual Monitors and PT580 vibration switches to measure case vibration in acceleration or velocity.

Specifications

Electrical

Sensitivity:

100mV/g, @ 25°C, ±10%

Frequency Response:

0.5 - 10,000Hz (±3dB)

Acceleration Range:

50g

Isolation:

Fully isolated

Electrical Noise:

0.0007g

Power Requirement:

2 - 10mA constant current

18 - 30VDC

Bias Voltage:

10 - 14VDC



Resonance Frequency:

30 kHz

Maximum Transmission Distance:

300 meters (1,000 feet)

Environmental and Physical

Temperature Range:

-50°C to +120°C

Environmental Protection:

IP67

Weight:

90 grams

Case Material:

Stainless Steel

Mounting:

1/4-28UNF tapped hole

Installation Torque:

29N x M

Hazardous Area Approval:

ATEX: II 1 G, Ex ia IIC T4

CSA: Class I, Div. 1, Groups A, B, C and D

PCEC: Ex ia IIC T4

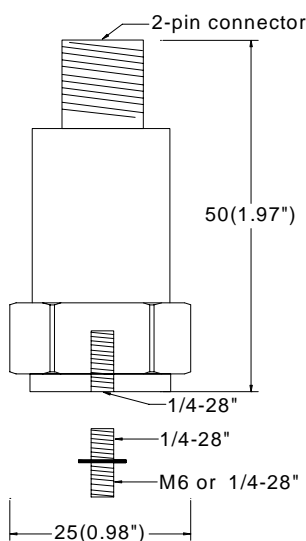
GOST R: 0ExialICT4X

Connection

A: Power (red)

B: COM (white)

Shield





Order Information

TM0782A-M

Accelerometer with mounting screw 1/4-28" to M6x1

TM0782A-E

Accelerometer with mounting screw 1/4-28" to 1/4-28"

TM0782A-K-M

Accelerometer kit includes:

- ✓ TM0782A accelerometer
- ✓ Mounting screw (1/4-28" to M6x1)
- ✓ TM0702-05

TM0782A-K-E

Accelerometer kit includes:

- ✓ TM0782A accelerometer
- ✓ Mounting screw (1/4-28" to 1/4-28")
- ✓ TM0702-05

Accessories:

(Standard cable length is 5 meters. XX = 05)



TM0702-XX: Aluminum MIL connector with XX meters cable, 6.35mm diameter. < 120°C (250°F)



TM0703-XX: Seal tight boot connector with XX meters cable, 6.35mm diameter. < 120°C (250°F)



TM0704-XX: Stainless steel MIL connector with armored XX meters cable, 4.83mm diameter. < 150°C (300°F), Maximum Length is 10 meters.



TM0705-XX: Cornered MIL connector with XX meters cable, 6.35mm diameter. < 120°C (250°F), Maximum Length is 10 meters.

TM0710: Mounting screw 1/4-28" - M6x1

TM0711: Mounting screw 1/4-28" - 1/4-28"

TM0712: Mounting screw 1/4-28" - M8

TM0713: Mounting screw 1/4-28" - M10