

Model LBM Compression Load Button

Why the Interface Model LMB Compression Load Button is the best in class:

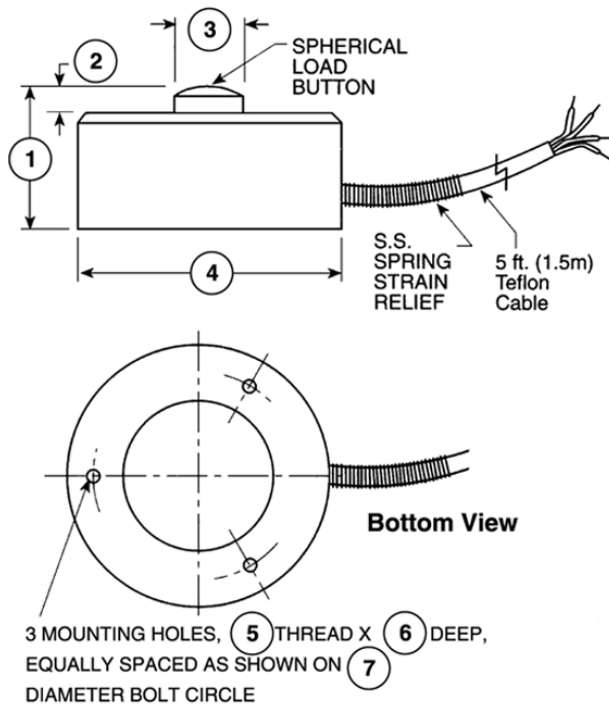
- Temperature compensated
- Integral load button
- Small diameter
- Environmentally sealed



ACCESSORIES

Instrumentation

Consult factory for more technical information.



SPECIFICATIONS

ACCURACY – (MAX ERROR)

Nonlinearity-% FS	±0.5
Hysteresis-% FS	±0.3
Nonrepeatability-% RO	±0.10

TEMPERATURE

Compensated Range-°F	60 to 160
Compensated Range-°C	16 to 71
Operating Range-°F	-65 to 250
Operating Range-°C	-54 to 121
Effect on Zero- % RO/°F – MAX	±0.005
Effect on Output-%/°F – MAX	±0.01
Zero Balance % FS	±2

ELECTRICAL

Rated Output-mV/V (nominal)	2.0
Bridge Resistance-Ohm (nominal)	350
Excitation Voltage	10 VDC

MECHANICAL

Calibration	Comp.
Deflection	0.004
Safe Overload-% CAP	150
Ultimate Overload % of CAP	300
Cable Length-ft	5
4-conductor Teflon insulated cable	

DIMENSIONS

See Drawing	CAPACITY									
	LBM Series									
	25, 50, 100		250, 500, 1K, 2K		5K, 10K		20K		50K	
	inch	mm	inch	mm	inch	mm	inch	mm	inch	mm
(1)	0.62	15.7	0.39	9.90	0.63	16.0	1.0	25.4	1.50	38.1
(2)	0.05	1.30	0.07	1.80	0.08	2.00	0.12	3.00	0.18	4.60
(3)	0.21	5.30	0.32	8.10	0.43	10.9	0.60	15.0	0.78	19.8
(4)	1.00	25.4	1.25	31.8	1.50	38.1	2.00	50.8	3.00	76.2
(5)	4-40 UNC		6-32 UNC		6-32 UNC		6-32 UNC		6-32 UNC	
(6)	0.19	4.83	0.25	6.35	0.25	6.35	0.25	6.35	0.25	6.35
(7)	0.75	19.00	1.00	25.4	1.25	31.8	1.63	41.3	2.38	60.3