

FEATURES

- Endless Rotation (360°)
- Wide Electrical Angle (340° ± 10°)
- Extended Mechanical Life (25.000 cycles)
- Laser trimming upon request
- Availability as switch, encoder or potentiometer
- UL verified (standard versions)
- Fully customisable features:

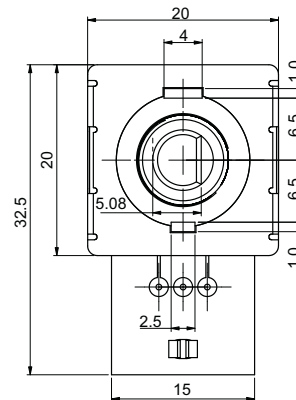
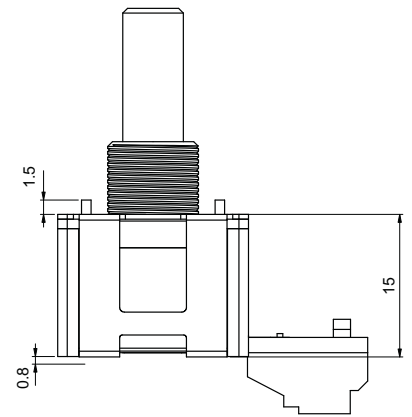
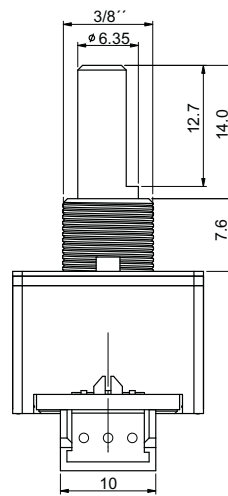
- detents (or no detents)
- end stops
- plastic / metal shafts
- "plug-and-play" connectors

STANDARD SPECIFICATIONS

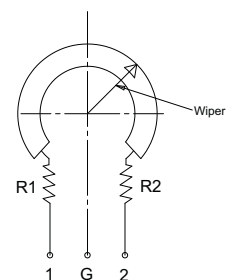
Resistance values*: (potentiometer version)	5k, 10k, 100k
Standard detents number*:	5, 8
Detent torque*:	900 to 1500 gf.cm
Tolerance*:	± 30%
Nominal Power:	0.15 W @ 50°C
Linearity (absolute):	± 3% (standard)
Taper:	Linear
Life*:	25.000 cycles
Temperature Range:	-40°C to +120°C
Mechanical Angle:	360°
Electrical Angle:	340° ± 10°
Rotational Torque:	≤ 20 mN.m
Max. Voltage:	250 VDC

(*) Others upon request

DIMENSIONS

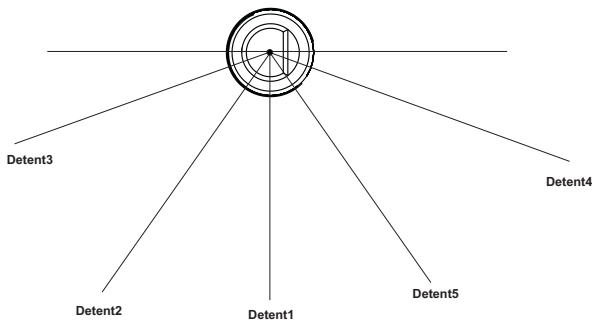


Custom internal scheme example

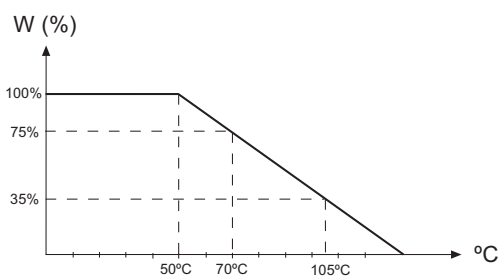


R total = 10 KΩ ± 20%
R1,R2 = 500Ω ± 3%(R total)

5 DETENTS VERSION



POWER RATING CURVE



Information contained in and/or attached to this document may be subject to export control regulations of the European Community, USA, or other countries. Each recipient of this document is responsible to ensure that usage and/or transfer of any information contained in this document complies with all relevant export control regulations. If you are in any doubt about the export control restrictions that apply to this information, please contact the sender immediately.

NOTE: The information contained here should be used for reference purposes only.