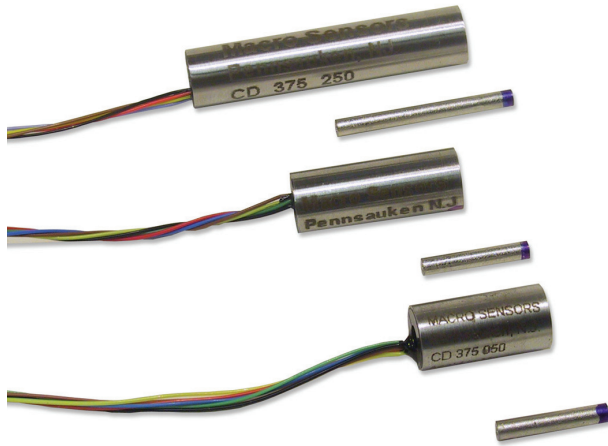


CD 375 Series

Miniature LVDT Position Sensors



Description

Macro Sensors' CD 375 Series of 3/8 inch (9.5 mm) diameter AC-operated LVDTs are small size contactless linear position sensors for both OEM and end user applications. They are available in full scale measuring ranges from ± 0.025 inch (± 0.63 mm) to ± 1.0 inch (± 25 mm). The low mass of their cores makes these miniature LVDTs well suited for high response dynamic measurements. CD 375 Series sensors feature the high resolution, excellent repeatability, and low hysteresis associated with LVDT technology, as well as the highest sensitivity consistent with good linearity. The maximum linearity error for a CD 375 sensor is $\pm 0.25\%$ of full range output, using a statistically best-fit straight line derived by the least squares method.

The proven reliability of CD 375 Series LVDTs is a direct result of manufacturing processes and assembly techniques developed and optimized by Macro Sensors personnel over many years of making LVDTs. Their environmental robustness stems from the materials of their construction, such as glass-filled polymer coil forms for thermal stability and stainless steel housings that act as magnetic shields to reduce the effects of any

Features

- Miniature 3/8 inch size, low core mass
- Ranges of ± 0.025 inch to ± 1.0 inches
- Non-linearity less than $\pm 0.25\%$ of FRO
- 220°F (105°C) operating temperature
- Coil assembly sealed to IEC IP-61
- Magnetically shielded SS housing

Typical Applications

- Machine Tools
- Robotic Grippers
- Medical Equipment
- Valve Position Sensing
- ATMs and Copy Machines
- Pneumatic Cylinder Position
- Oil and Gas Well Monitoring
- Automatic Inspection Equipment

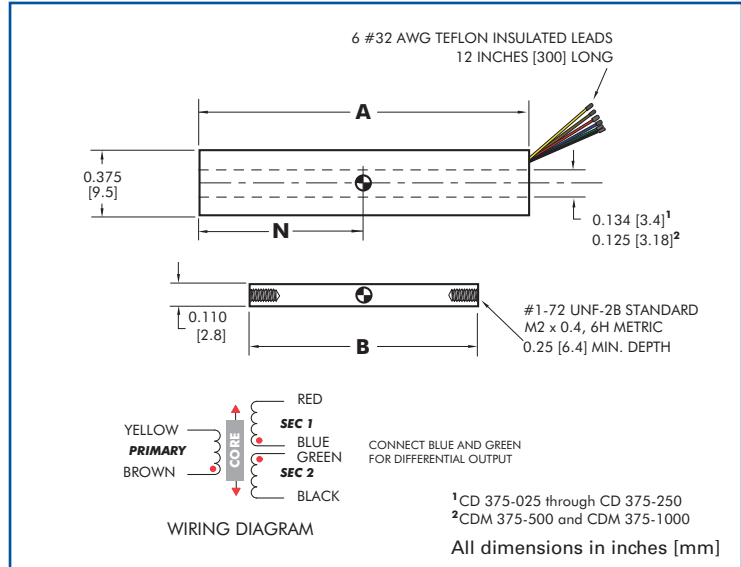
external AC magnetic fields. Their external sealing meets IEC standard IP-61.

Macro Sensors offers several standard options that permit a user to customize CD 375 LVDTs, including Teflon® bore liners and metric threaded cores. In addition to these standard options, Macro Sensors can design and produce special CD 375 LVDTs, including units with different lead wire exit points and connectors; vented units for operation in pressurized fluids; units for higher ambient temperatures; and units constructed of materials resistant to mild nuclear radiation. Contact the highly experienced Applications Engineers at Macro Sensors for help with any special requirements.

All CD 375 Series LVDTs will operate properly with any conventional differential input LVDT signal conditioners, but operation with ratiometric LVDT signal conditioning circuits is not recommended. Macro Sensors offers a full line of LVDT signal conditioners that will deliver optimum performance from any CD 375 Series LVDT.

General Specifications

- Input Voltage:** 3.0 Vrms (nominal)
- Input Frequency:** 2.5 - 3.0 kHz
- Linearity Error:** $\pm 0.25\%$ of FRO
- Repeatability Error:** <math>< 0.01\%</math> of FSO
- Hysteresis Error:** <math>< 0.01\%</math> of FSO
- Operating Temperature:** -65°F to +220°F (-55°C to +105°C)
- Thermal Coefficient of Sensitivity:** -0.01%/°F (nominal) (-0.02%/°C nominal)
- Vibration Tolerance:** 20 g to 2 kHz
- Shock Survival:** 1000 g, 11 ms



Specifications

Model ▶	CD 375 025	CD 375 -050	CD 375 -100	CD 375 -250	CDM 375 -500	CDM 375 -1000
Parameter ▼						
Nominal Range (inches)	±0.025	±0.050	±0.100	±0.250	±0.500	±1.00
Nominal Range (mm)	±0.63	±1.25	±2.50	±6.25	±12.5	±25
Sensitivity (mV/V/.001 in)	3.3	1.6	1.6	2.2	1.6	0.7
Sensitivity (mV/V/mm)	130	63	63	87	63	28
Impedance, Primary (Ω)	90	340	340	500	125	235
Dimension "A" (inches)	0.50	0.75	1.00	1.75	3.30	5.60
Dimension "A" (mm)	12.7	19.1	25.4	44.5	83.8	142.2
Dimension "B" (inches)	0.40	0.63	0.64	1.13	2.00	3.00
Dimension "B" (mm)	10.2	16.0	16.3	28.6	50.8	76.2
Dimension "N" (inches)	0.25	0.38	0.50	0.88	1.65	2.8
Dimension "N" (mm)	6.35	9.5	12.7	22.1	41.9	71.1
Weight, Body (ounces)	0.10	0.20	0.21	0.40	0.63	0.95
Weight, Body (grams)	2.8	5.7	6.0	11.3	18.0	27.0
Weight, Core (ounces)	0.008	0.014	0.015	0.033	0.056	0.088
Weight, Core (grams)	0.23	0.40	0.42	0.94	1.60	2.50

Ordering Information

For standard CD 375 or CDM 375, order by model number with range
 For metric threaded core option, add -006 after model number with range
 For Teflon® bore liner option, add -010 after model number with range
 (not available for CDM 375-500 or CDM 375-1000)
 For both options, add -016 after model number with range
 For accessories and compatible support electronics, please visit our website at www.macrosensors.com.



Innovators in Position Sensing

All specifications subject to change without notice.
 © 2011 Macro Sensors 6/13/11

7300 US Route 130 North, Bldg. 22
 Pennsauken, NJ 08110-1541 USA
 tel: 856-662-8000
 fax: 856-317-1005
lvdts@macrosensors.com

