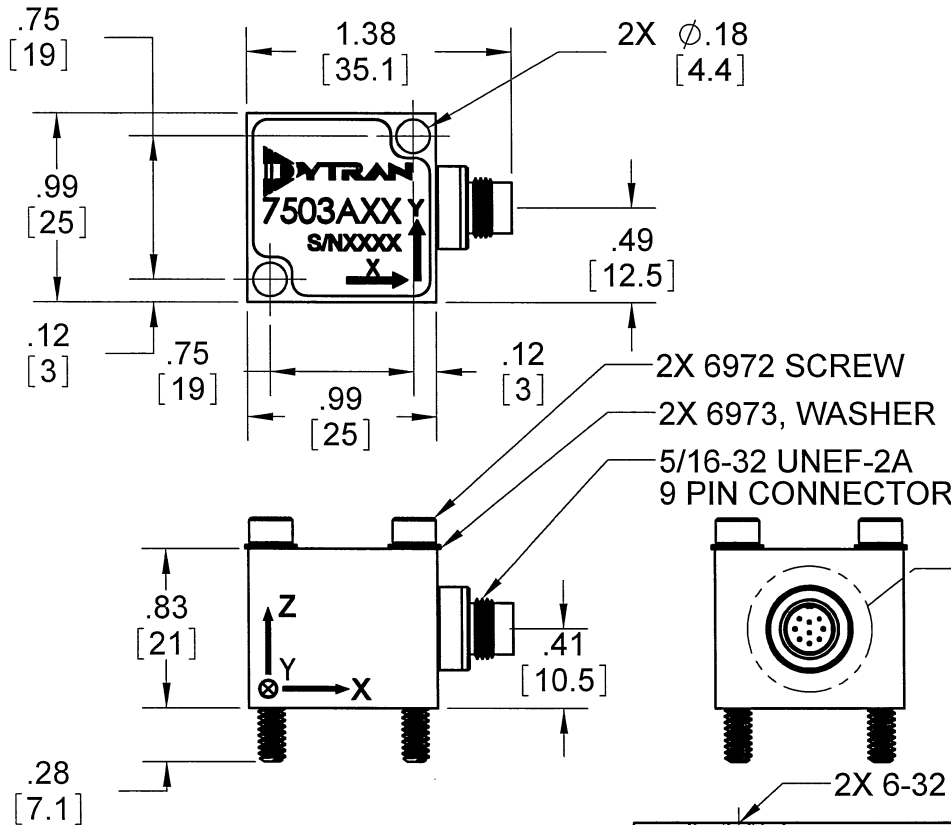


**PROPRIETARY AND CONFIDENTIAL**

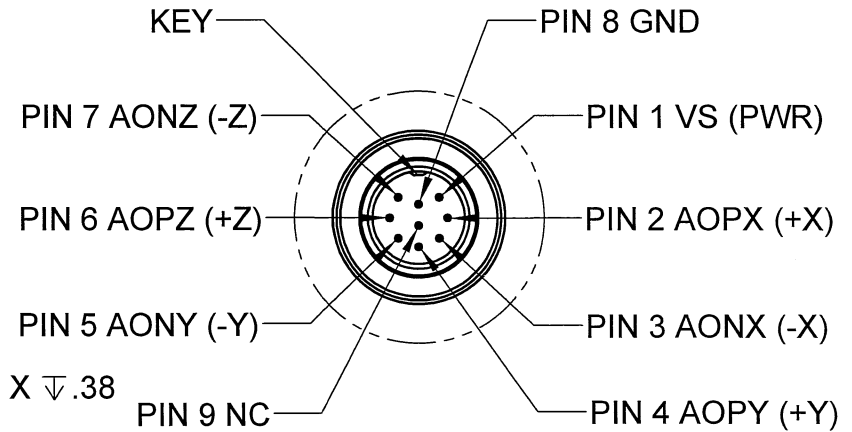
THE INFORMATION CONTAINED IN THIS DRAWING IS THE SOLE PROPERTY OF DYTRAN INSTRUMENTS INC. ANY REPRODUCTION IN PART OR AS A WHOLE WITHOUT THE WRITTEN PERMISSION OF DYTRAN INSTRUMENTS INC. IS PROHIBITED

**REVISIONS**

REV	ECN	DESCRIPTION	BY/DATE	CHK	APPR
A	6510	INITIAL RELEASE	RA 08/25/11	<i>[Signature]</i>	AWS



MODEL	RANGE
7503A1	$\pm$ 2G
7503A2	$\pm$ 5G
7503A3	$\pm$ 10G
7503A4	$\pm$ 25G
7503A5	$\pm$ 50G
7503A6	$\pm$ 100G
7503A7	$\pm$ 200G
7503A8	$\pm$ 400G



1. WEIGHT: 25 MAX GRAMS

NOTES: UNLESS OTHERWISE SPECIFIED.

UNLESS OTHERWISE SPECIFIED: INTERPRET DIM & TOL PER ASME Y14.5M - 1994. REMOVE BURRS. COUNTERSINK INTERNAL THDS 90° TO MAJOR DIA. CHAM EXT THDS 45° TO MINOR DIA. THD LENGTHS AND DEPTHS ARE FOR MIN FULL THDS. THDS PER MIL-S-7742. DIMENSIONS APPLY AFTER FINISHING.		UNLESS OTHERWISE SPECIFIED: DIMENSIONS ARE IN INCHES. DIMENSIONS IN BRACKETS [ ] ARE IN MILLIMETERS TOLERANCES ARE: INCHES METRIC ANGLES .XX $\pm$ .03 .X $\pm$ 0.8 $\pm$ 1° .XXX $\pm$ .010 .XX $\pm$ 0.25	
USED ON	NEXT ASSY	MATERIAL	FINISH
APPLICATION		DO NOT SCALE DRAWING	
THIRD ANGLE PROJECTION USA		ALL MACHINED SURFACES. TOTAL RUNOUT WITHIN .005. BREAK SHARP EDGES .005 TO .010. MACHINED FILLET RADII .005 TO .015. WELDING SYMBOLS PER AWS A2.4. ABBREVIATIONS PER MIL-STD-12.	

CONTRACT NO.		
APPROVALS		DATE
ORIG	RA	05/03/11
CHK	<i>[Signature]</i>	9/12/11
APP	AWS	9/10/11
APP		

**DYTRAN INSTRUMENTS, INC.** Chatsworth, CA

**MASTER ONLY IF IN RED**

TITLE: **OUTLINE/INSTALLATION DRAWING, TRIAXIAL ACCELEROMETER, 7503A SERIES**

SIZE	CAGE CODE	DWG. NO.	REV
<b>A</b>	<b>2W033</b>	<b>127-7503A</b>	<b>A</b>

SCALE: NONE      SOLIDWORKS      SHEET 1 OF 1

Model Number 7503A7	<b>PERFORMANCE SPECIFICATION</b>	DOC NO PS7503A7
TRIAXIAL VARIABLE CAPACITANCE ACCELEROMETER		REV A, EGN 6510, 09/01/11



- VARIABLE CAPACITANCE TECHNOLOGY
- DIFFERENTIAL MODE
- HERMETICALLY SEALED
- DC RESPONSE

**PHYSICAL**

	ENGLISH		SI	
Weight, Max	1.1	oz	30	grams
Connector	5/16-32 UNEF-2A		5/16-32 UNEF-2A	
Material	Ti-6Al-4V		Ti-6Al-4V	

**PERFORMANCE**

	ENGLISH		SI	
Input Range	± 200	g	± 1962	m/s <sup>2</sup>
Frequency Response (3dB), Nom	0-3000	Hz	0-3000	Hz
Sensitivity Differential, ±5% [1]	10	mV/g	1	mV/m/s <sup>2</sup>
Output Noise, Differential, Typ	300	µg rms/√Hz	2943	µm/s <sup>2</sup> /√Hz
Non-Linearity, Max [2]	1	% F.S	1	% F.S
Cross Axis Sensitivity, Max	3	%	3	%

**ENVIRONMENTAL**

	ENGLISH		SI	
Maximum Mechanical Shock (0.1 ms)	±5000	gpk	±49050	m/s <sup>2</sup> peak
Bias Temperature Shift, Max [3]	56	(ppm of span)/°F	100	(ppm of span)/°C
Bias Calibration Error, Max	1.5	% of span	1.5	% of span
Operating Temperature Range	-67 to +221	°F	-55 to +105	°C
Scale Factor Temperature Shift [3]	-83 to +83	ppm/°F	-150 to +150	ppm/°C
Seal	Hermetic		Hermetic	

**ELECTRICAL**

	ENGLISH		SI	
Output Common Mode Voltage, Typ	2.5	VDC	2.5	VDC
Output Impedance, Nom	1	Ω	1	Ω
Operating Voltage	9 to 26	VDC	9 to 26	VDC
Operating Current (AOP & AON open), Max	30	mA Dc	30	mA Dc
Power Supply Rejection Ratio	>65	dB	>65	dB

**This family also includes:**

Model	Input Range (g)	Frequency response (Hz)	Sensitivity Differential, ±15% (mV/g)	Max.Shock (0.1ms)	Noise Differential (µg/√Hz)
7503A1	±2	0-400	1,000	5000	12
7503A2	±5	0-600	400	5000	14
7503A3	±10	0-1000	200	5000	15
7503A4	±25	0-1500	80	5000	38
7503A5	±50	0-2000	40	5000	75
7503A6	±100	0-2500	20	5000	150

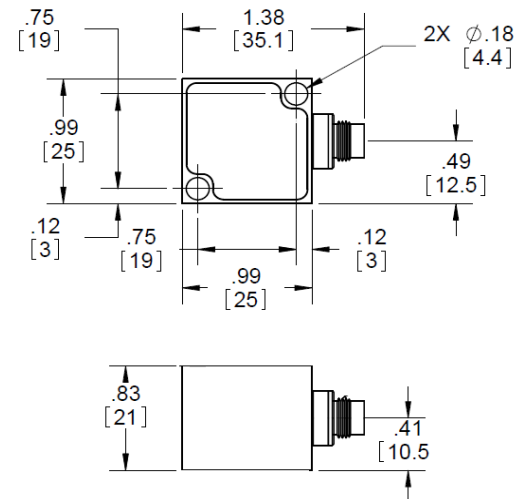
Refer to the performance specifications of the products in this family for detailed description.

**Supplied Accessories:**

- 1) Accredited calibration certificate (ISO 17025)
- 2) Mounting screw model 6972, qty 2
- 3) Mounting washer model 6973, qty 2

**Notes:**

- [1] Single ended sensitivity is half of values shown.
- [2] -90% to +90% of Full Scale.
- [3] Over the rated temperature range.
- [4] In the interest of constant product improvement, we reserve the right to change specifications without notice.



Units on the line drawing are in inches. Refer to 127-7503A for more information.



21592 Marilla Street, Chatsworth, California 91311 Phone: 818.700.7818 Fax: 818.700.7880 www.dytran.com  
For permission to reprint this content, please contact info@dytran.com