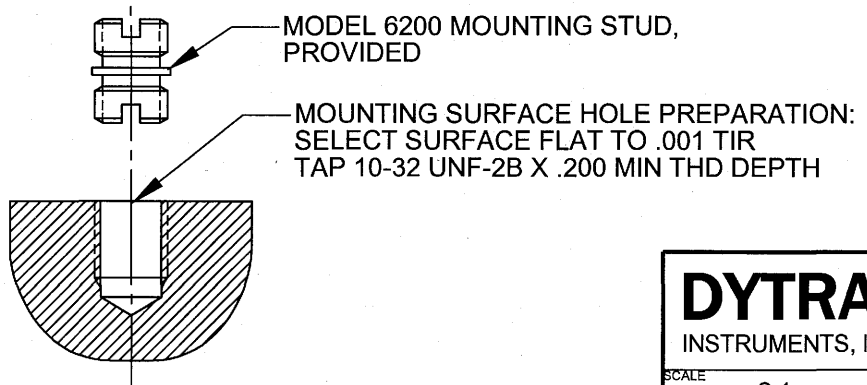
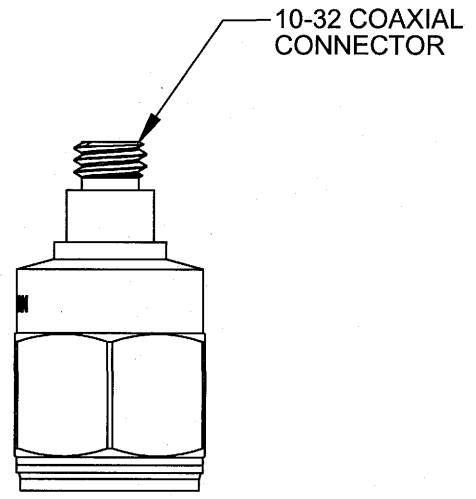
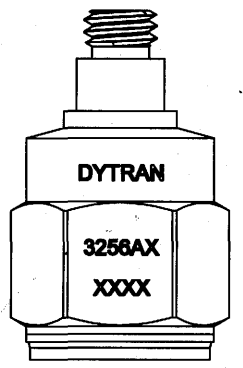
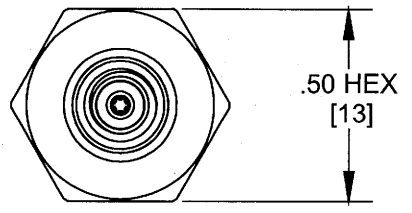


MODEL	REV	ECN	DATE	SENSITIVITY
3256A1	A	4535	2/5/2007	10 mV/g
3256A2	A	4535	2/5/2007	100 mV/g
3256A3	A	4535	2/5/2007	500 mV/g
3256A4	A	4535	2/5/2007	20 mV/g
3256A5	A	4535	2/5/2007	50 mV/g
3256A6	A	4535	2/5/2007	200mV/g



MODEL 6200 MOUNTING STUD, PROVIDED

MOUNTING SURFACE HOLE PREPARATION:
 SELECT SURFACE FLAT TO .001 TIR
 TAP 10-32 UNF-2B X .200 MIN THD DEPTH

DYTRAN MASTER				CHATSORTH, CA	
INSTRUMENTS, INC. ONLY IF IN RED					
SCALE	2:1	REV	-	DATE	SEE CHART
DATE	2/5/2007	ECN		SEE CHART	
DRAWN	CER	PART NO.	3256A SERIES		
CHECKED	CER	MATERIAL	-		
APPROVED	CER	NEXT ASSEMBLY	3256AX	USED ON	3256AX SERIES
TITLE				DWG NO.	
OUTLINE / INSTALLATION DRAWING				127-3256A	
3256A SERIES ACCELEROMETER				SHEET 1 OF 1	

SPECIFICATIONS
MODEL SERIES 3256A LIVM ACCELEROMETERS

SPECIFICATION	VALUE						UNITS
PHYSICAL							
WEIGHT	10						grams
SIZE, HEX x HEIGHT	.50 x 0.91						inches
MOUNTING PROVISION	10-32 X .150 DEEP TAPPED HOLE						
CONNECTOR, RADIALLY MOUNTED	10-32 coaxial						
MATERIAL, BASE, CAP & CONNECTOR	TITANIUM						
GROUNDING	SIGNAL GROUNDED TO HOUSING						
SEISMIC ELEMENT TYPE	CERAMIC, PLANAR SHEAR						
PERFORMANCE							
	3256A1	3256A2	3256A3	3256A4	3256A5	3256A6	
SENSITIVITY, ± 5% [1]	10	100	500	20	50	200	mV/g
RANGE F.S. FOR ± 5 VOLTS OUT	± 500	±50	±10	±250	±100	±25	g
FREQUENCY RANGE, ± 5%	1 to 10,000						Hz
RESONANT FREQUENCY, NOM.	32						kHz
EQUIVALENT ELECTRICAL NOISE	.007	.0007	.00014	.0035	.0014	.003	g rms
LINEARITY [2]	± 2						%F.S.
TRANSVERSE SENSITIVITY, MAX.	5						%
ENVIRONMENTAL							
	3256A1	3256A2	3256A3	3256A4	3256A5	3256A6	
MAXIMUM VIBRATION	600	400	200	600	500	400	±g
MAXIMUM SHOCK	3000	2000	1000	3000	3000	2000	gpk
TEMPERATURE RANGE	-60 to +250	-60 to +250	-60 to +225	-60 to +250	-60 to +250	-60 to +225	°F
SEAL, HERMETIC	Glass-to-metal/welded						
COEFFICIENT OF THERMAL SENS	.06						%/°F
ELECTRICAL							
SUPPLY CURRENT [3]	2 to 20						mA
COMPLIANCE VOLTAGE RANGE	18 to +30						V
OUTPUT IMPEDANCE, TYP.	100						Ω
BIAS VOLTAGE	+11 to +13						Vdc
DISCHARGE TIME CONSTANT	0.5 to 1.0						sec
OUTPUT SIGNAL POLARITY	Positive						
FOR ACCELERATION TOWARD TOP							

Accessories supplied: (1) Model 6200 mounting stud.

[1] Measured at 100 Hz, 1 g RMS per ISA RP 37.2.

[2] Measured using zero-based best straight line method, % of F.S. or any lesser range.

[3] Do not apply power to this device without current limiting, 20 mA MAX. To do so will destroy the integral IC amplifier.