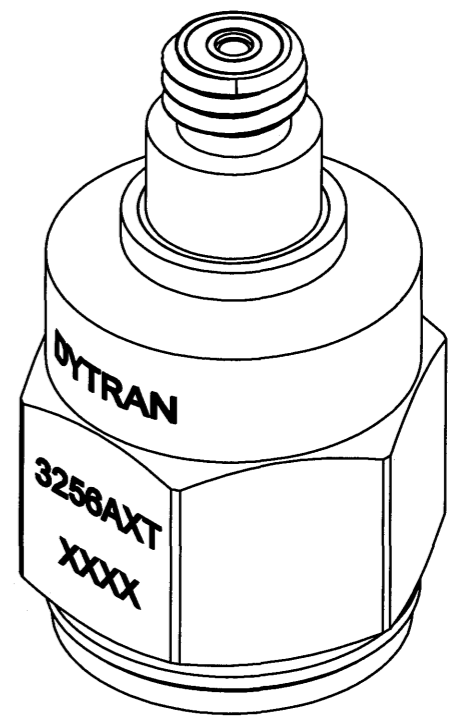
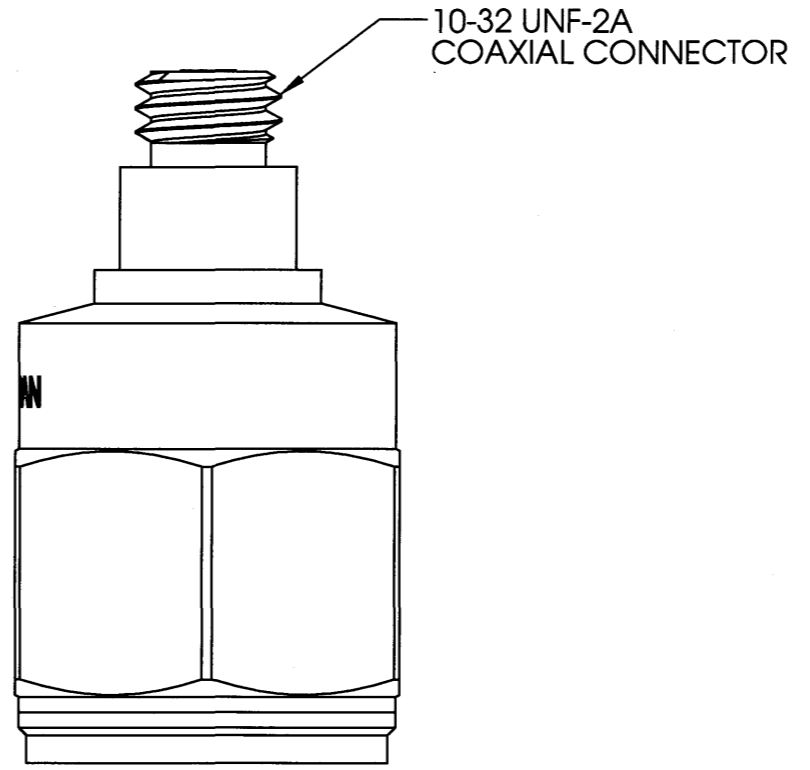
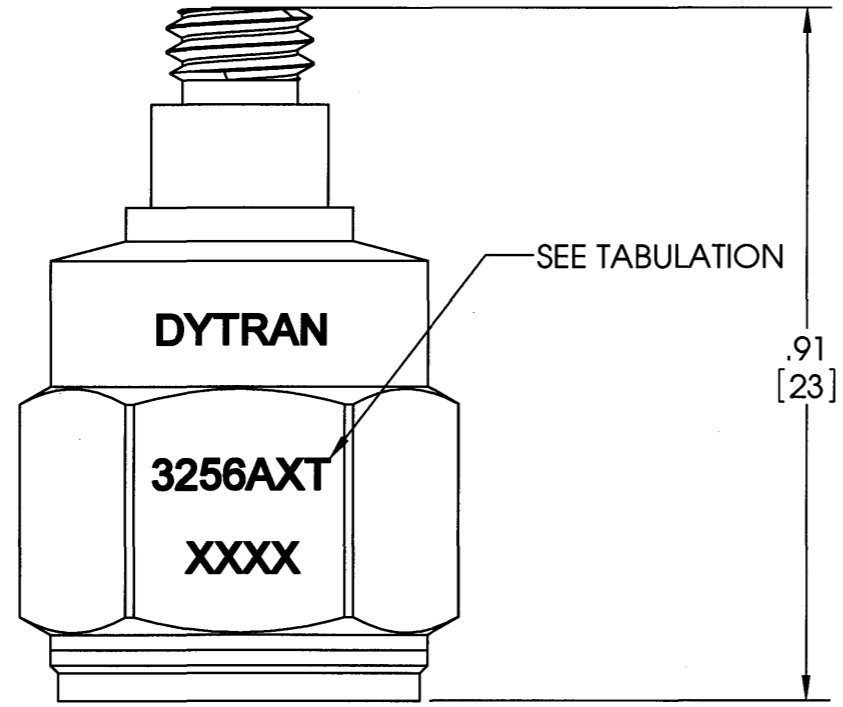
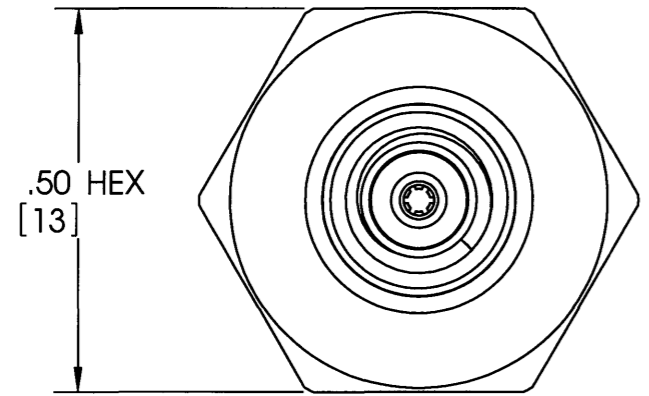
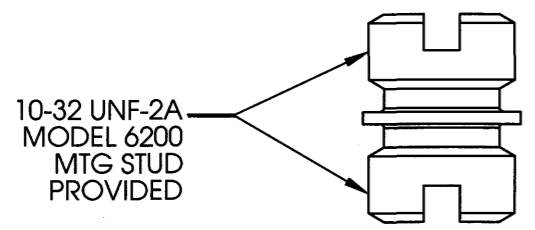


REVISIONS					
REV.	ECN	DESCRIPTION	BY/DATE	CHK	APPR
A	4932	INITIAL RELEASE	JS 11/27/07	Ra	ccs



MODEL	REV	ECN	SEN mV/G
3256A5T	A	4932	50mV/G
3256A3T	A	4932	500mV/G
3256A2T	A	4932	100mV/G
3256A1T	A	4932	10mV/G
TABULATION			



1. MOUNTING SURFACE HOLE PREPARATION:
 SELECT SURFACE FLAT TO .001 TIR
 TAP 10-32 UNF-2B X .200 MIN THD DEPTH
 NOTES: UNLESS OTHERWISE SPECIFIED

DRILL HOLE SIZE	TOLERANCE	UNLESS OTHERWISE SPECIFIED: INTERPRET DIM & TOL PER ASME Y14.5M - 1994. REMOVE BURRS. COUNTERSINK INTERNAL THDS 90° TO MAJOR DIA. CHAM EXT THDS 45° TO MINOR DIA. THD LENGTHS AND DEPTHS ARE FOR MIN FULL THDS. THDS PER MIL-S-7742. DIMENSIONS APPLY AFTER FINISHING ALL MACHINED SURFACES. TOTAL RUNOUT WITHIN .005. BREAK SHARP EDGES .005 TO .010. MACHINED FILLET RADII .005 TO .015. WELDING SYMBOLS PER AWS A2.4. ABBREVIATIONS PER MIL-STD-12.
.0135 THRU .125	+ .004 / - .001	
.1260 THRU .250	+ .005 / - .001	
.2510 THRU .500	+ .006 / - .001	
.5010 THRU .750	+ .008 / - .001	
.7510 THRU 1.000	+ .010 / - .001	
1.001 THRU 2.000	+ .012 / - .001	

THIRD ANGLE PROJECTION
 USA

UNLESS OTHERWISE SPECIFIED: DIMENSIONS ARE IN INCHES. TOLERANCES ARE: DECIMALS .XX ± .010 .XXX ± .005 ANGLES ± 1°		CONTRACT NO.	
MATERIAL:		APPROVALS	DATE
FINISH:		ORIG JS	11/26/07
DO NOT SCALE DRAWING		CHK Ra	11/30/07
		APP CCS	11-30-07
		APP	

DYTRAN
INSTRUMENTS, INC. Chatsworth, CA

MASTER ONLY IF IN RED

TITLE: **ACCELEROMETER ASSEMBLY**

SIZE B	CAGE CODE 2W033	DWG NO 127-3256AT	REV A
SCALE: 2:1	SOLIDWORKS	SHEET 1 of 1	

SPECIFICATIONS
MODEL SERIES 3256AT LIVM ACCELEROMETERS

SPECIFICATION	VALUE	UNITS
PHYSICAL		
WEIGHT	10	grams
SIZE, HEX x HEIGHT	.50 x 0.91	inches
MOUNTING PROVISION	10-32 X .150 DEEP TAPPED HOLE	
CONNECTOR, RADIALLY MOUNTED	10-32 coaxial	
MATERIAL, BASE, CAP & CONNECTOR	TITANIUM	
GROUNDING	SIGNAL GROUNDED TO HOUSING	
SEISMIC ELEMENT TYPE	CERAMIC, PLANAR SHEAR	

PERFORMANCE

	3256A1T	3256A2T	3256A3T	3256A4T	3256A5T	3256A6T	
SENSITIVITY, $\pm 5\%$ [1]	10	100	500	20	50	200	mV/g
RANGE F.S. FOR ± 5 VOLTS OUT	± 500	± 50	± 10	± 250	± 100	± 25	g
FREQUENCY RANGE, $\pm 5\%$			1 to 10,000				Hz
RESONANT FREQUENCY, NOM.			32				kHz
EQUIVALENT ELECTRICAL NOISE	.007	.0007	.00014	.0035	.0014	.003	g rms
LINEARITY [2]			± 2				%F.S.
TRANSVERSE SENSITIVITY, MAX.			5				%

ENVIRONMENTAL

	3256A1T	3256A2T	3256A3T	3256A4T	3256A5T	3256A6T	
MAXIMUM VIBRATION	600	400	200	600	500	400	\pm g
MAXIMUM SHOCK	3000	2000	1000	3000	3000	2000	gpk
TEMPERATURE RANGE			-60 to +250				°F
SEAL, HERMETIC			Glass-to-metal/welded				
COEFFICIENT OF THERMAL SENS			.06				%/°F

ELECTRICAL

SUPPLY CURRENT [3]	2 to 20	mA
COMPLIANCE VOLTAGE RANGE	18 to +30	V
OUTPUT IMPEDANCE, TYP.	100	Ω
BIAS VOLTAGE	+11 to +13	Vdc
DISCHARGE TIME CONSTANT	0.4 to 1.2	sec
OUTPUT SIGNAL POLARITY	Positive	
FOR ACCELERATION TOWARD TOP		
IEPE SENSOR WITH TEDS FEATURE	PER IEEE 1451.4	

Accessories supplied: (1) Model 6200 mounting stud.

[1] Measured at 100 Hz, 1 g RMS per ISA RP 37.2.

[2] Measured using zero-based best straight line method, % of F.S. or any lesser range.

[3] Do not apply power to this device without current limiting, 20 mA MAX. To do so will destroy the integral IC amplifier.