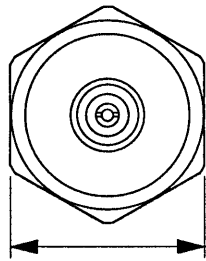
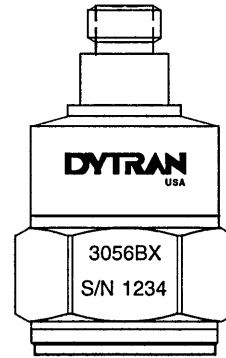
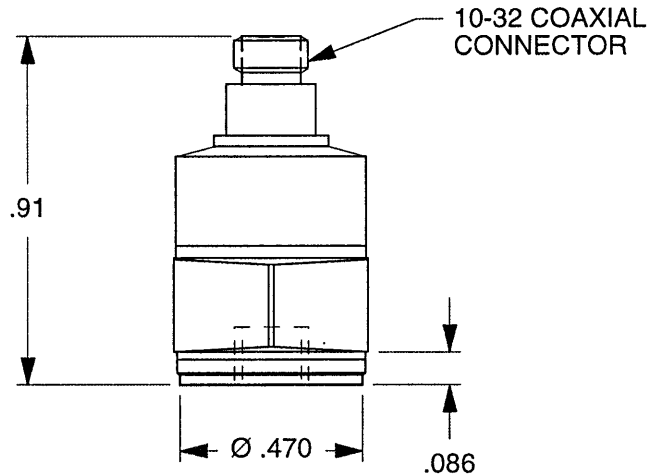


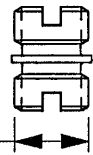
REV	ECN	DESCRIPTION	BY/DATE	CHK	APPR
A	4776	INITIAL RELEASE OF 3056B7	RLA 7/30/07	<i>CES</i>	<i>CES</i>



.500 HEX

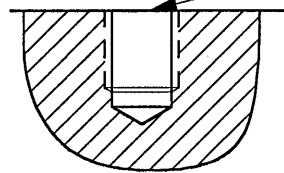


MODEL	REV	ECN	SENSITIVITY	F.S. RANGE, ±5V
3056B1	-	-	10.0 mV/g	±500 g's
3056B2	-	-	100 mV/g	±50 g's
3056B3	-	-	500 mV/g	±10 g's
3056B4	-	-	20 mV/g	±250 g's
3056B5	-	-	50 mV/g	±100 g's
3056B6	-	-	200 mV/g	±25 g's
3056B7	A	4776	5 mV/g	±1000 g's



MODEL 6200 MOUNTING STUD, PROVIDED

10-32 THD., TYP



MOUNTING HOLE PREPARATION:
 SELECT SURFACE FLAT TO .001 TIR
 DRILL #21 (.159) DIA. X .250 DEEP
 BOTTOM TAP 10-32 UNF-2B X .200
 MIN. DEPTH PERF. THD.

MASTER ONLY IF IN RED

HARTFORD, CA.

SCALE	2X	REV	-	DATE	-	ECN	-
DATE	7/24/02	PART NO.	SERIES 3056B				
DRAWN	N.C.	CHECKED	R.A.	MAT'L	-		
APPROVED	N.C.	7/30/07	NEXT ASSEMBLY	USED ON		3056B1, B2, B3, B4, B5, B6	
TITLE						DWG NO.	
OUTLINE/INSTALLATION DRAWING, MODEL SERIES 3056B						127-3056B	
						SHEET 1 OF 1	

1. CASE AND CONNECTOR MATERIAL: TITANIUM.



**SPECIFICATIONS
MODEL SERIES 3056B IEPE ACCELEROMETERS**

SPECIFICATION	VALUE							UNITS
PHYSICAL								
WEIGHT	10							grams
SIZE, HEX x HEIGHT	.50 x 0.91							inches
MOUNTING PROVISION	10-32 X .150 DEEP TAPPED HOLE							
CONNECTOR, RADIALLY MOUNTED	10-32 coaxial							
MATERIAL, BASE, CAP & CONNECTOR	TITANIUM							
SEISMIC ELEMENT TYPE	CERAMIC, PLANAR SHEAR							
PERFORMANCE								
	3056B1	3056B2	3056B3	3056B4	3056B5	3056B6	3056B7	
SENSITIVITY, ± 5% [1]	10	100	500	20	50	200	5	mV/g
RANGE F.S. FOR ± 5 VOLTS OUT	± 500	±50	±10	±250	±100	±25	±1000	g
FREQUENCY RANGE, ± 5%	1 to 10,000							Hz
RESONANT FREQUENCY	>32							kHz
ELECTRICAL NOISE (1Hz-10kHz)	.004	.0004	.0004	.002	.001	.0003	.003	g rms
LINEARITY [2] (all models)	± 2							%F.S.
TRANSVERSE SENSITIVITY, MAX.	5							%
ENVIRONMENTAL								
	3056B1	3056B2	3056B3	3056B4	3056B5	3056B6	3056B7	
MAXIMUM VIBRATION	600	400	200	600	500	300	600	±g
MAXIMUM SHOCK	3000	2000	1000	3000	3000	2000	3000	gpk
TEMPERATURE RANGE	-60 to +250	-60 to +250	-60 to +225	-60 to +250	-60 to +250	-60 to +225	-60 to +250	°F
SEAL, HERMETIC	Glass-to-metal/welded							
COEFFICIENT OF THERMAL SENS	.06							%/°F
ELECTRICAL								
SUPPLY CURRENT [3]	2 to 20							mA
COMPLIANCE VOLTAGE RANGE	18 to +30							V
OUTPUT IMPEDANCE, TYP.	100							Ω
BIAS VOLTAGE	+9 to +13							Vdc
DISCHARGE TIME CONSTANT	0.5 to 1.5							sec
OUTPUT SIGNAL POLARITY	Positive							
FOR ACCELERATION TOWARD TOP								
ELECTRICAL ISOLATION, MIN	10							MΩ
CASE GROUND TO MOUNTING SURFACE								

Accessories supplied: (1) Model 6200 mounting stud.

[1] Measured at 100 Hz, 1 G RMS per ISA RP 37.2.

[2] Measured using zero-based best straight line method, % of F.S. or any lesser range.

[3] Do not apply power to this device without current limiting, 20 mA MAX. To do so will destroy the integral IC amplifier.