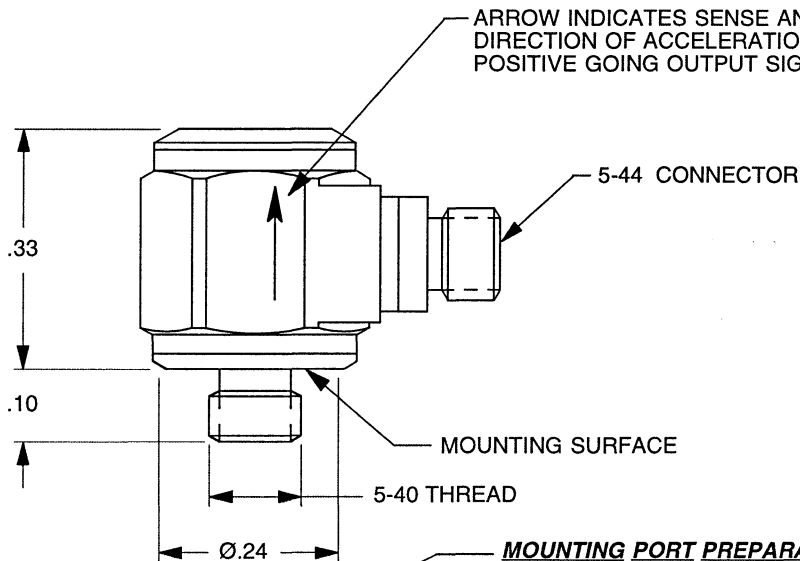


ACTUAL SIZE



ARROW INDICATES SENSE AND DIRECTION OF ACCELERATION FOR POSITIVE GOING OUTPUT SIGNAL

5-44 CONNECTOR

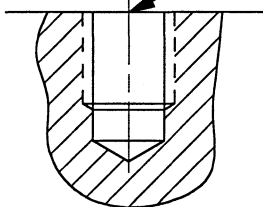
MOUNTING SURFACE

5-40 THREAD

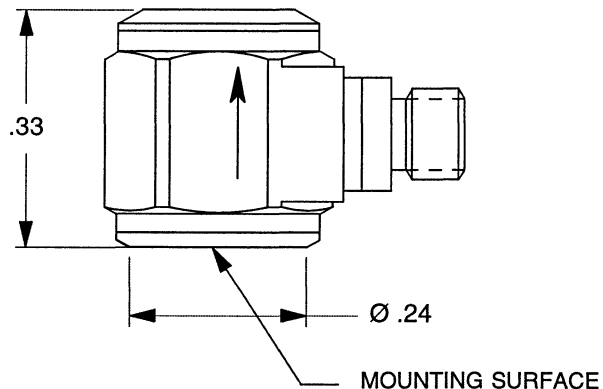
Ø.24

**MOUNTING PORT PREPARATION: 3035B**

SELECT OR PREPARE A FLAT AREA OF AT LEAST Ø.250, FLAT TO .001 TIR.  
 AT THE CENTER, DRILL #38 (Ø.101) X .150 DEEP, MIN.  
 TAP 5-40 UNC-2B X .125 DEEP, MIN.



**MODEL 3035B**



**MODEL 3035BG**

**MOUNTING SURFACE PREPARATION: 3035BG**

SELECT OR PREPARE A FLAT AREA OF AT LEAST Ø.250, FLAT TO .001 TIR. CLEAN TO REMOVE CONTAMINANTS. APPLY ADHESIVE TO SURFACE OR TO ACCELEROMETER AND PRESS TOGETHER UNTIL ADHESIVE SETS.

2. MOUNTING TORQUE ON .281 HEX: 3 TO 4 LB.-IN.

1. WEIGHT: 2.5 GRAMS.

		<h1>MASTER ONLY IF IN RED</h1>		CHATSWORTH, CA.	
SCALE	4X	REV	D	DATE	6/10/04
		ECN			N/A
DATE	12/02/02	PART NO.	MODELS 3035B, 3035BG		
DRAWN	N.C.	CHECKED	R.A.	MAT'L	
APPROVED	[Signature]		NEXT ASSEMBLY	USED ON	
TITLE	<b>OUTLINE/INSTALLATION DRAWING, MODELS 3035B &amp; 3035BG LIVM ACCELEROMETERS</b>				DWG NO. <b>127-3035B/G</b>
					SHEET 1 OF 1



**SPECIFICATIONS, MODELS 3035BX & 3035BXG  
LIVM (IEPE) ACCELEROMETERS**

**SPECIFICATIONS BY MODEL**

MODEL	RANGE F.S. (g)	MAXIMUM SHOCK (g)	SENSITIVITY (±10%) [1] (mV/g)	ELECTRICAL NOISE (g) (kHz)	NATURAL FREQUENCY (kHz)
3035B & BG	± 50	600/3000	100.0	0.0009	>45
3035B1 & B1G	± 500	600/3000	10.0	0.005	>45
3035B2 & B2G	± 100	600/3000	50.0	0.0015	>45
3035B3 & B3G	± 1000	600/3000	5.0	0.009	>45

**COMMON SPECIFICATIONS**

SPECIFICATION	VALUE	UNITS
<b>PHYSICAL</b>		
WEIGHT	2.5	grams
SIZE, HEX x HEIGHT	.281 (9/32) x .33	inches
MOUNTING PROVISION, 3035B	5-40 integral stud	
MOUNTING PROVISION, 3035BG	flat surface for adhesive mount	
CONNECTOR, RADIALLY MOUNTED	5-44 coaxial	
MATERIAL, HOUSING AND CONNECTOR	300 Series Stainless Steel	
<b>PERFORMANCE</b>		
FREQUENCY RANGE, ± 5%	0.5 to 10k	Hz
RESONANT FREQUENCY	>45	kHz
EQUIVALENT ELECTRICAL NOISE FLOOR	.007	g rms
LINEARITY [2]	± 1%	% F.S.
TRANSVERSE SENSITIVITY, MAX.	5	%
STRAIN SENSITIVITY	.002	g/με @ 250με
<b>ENVIRONMENTAL</b>		
MAXIMUM VIBRATION/SHOCK	600/3000	± g pk
TEMPERATURE RANGE, 3035B/BG, 3035B2/B2G	-60 to +225	°F
3035B1/B1G, 3035B3/B3G	-60 to +250	°F
SEAL, HERMETIC	Glass-to-metal and TIG welded	
COEFFICIENT OF THERMAL SENSITIVITY	.04	%/°F
<b>ELECTRICAL</b>		
SUPPLY CURRENT [3]	2 to 20	mA
SUPPLY COMPLIANCE VOLTAGE RANGE	+18 to +30	Volts
OUTPUT IMPEDANCE, TYP.	100	Ω
BIAS VOLTAGE	+11 to +13	Vdc
DISCHARGE TIME CONSTANT	0.5 to 1.2	seconds
OUTPUT SIGNAL POLARITY FOR ACCELERATION TOWARD TOP	Positive	
CASE GROUNDING	Case is grounded to electrical power ground	

[1] Measured at 100 Hz, 1g rms per ISA RP 37.2.

[2] Measured using zero-based best straight-line method, % of full scale (F.S.) or any lesser range.

[3] Do not apply power to this device without current limiting, 20 mA MAX. To do so will destroy the integral IC amplifier.