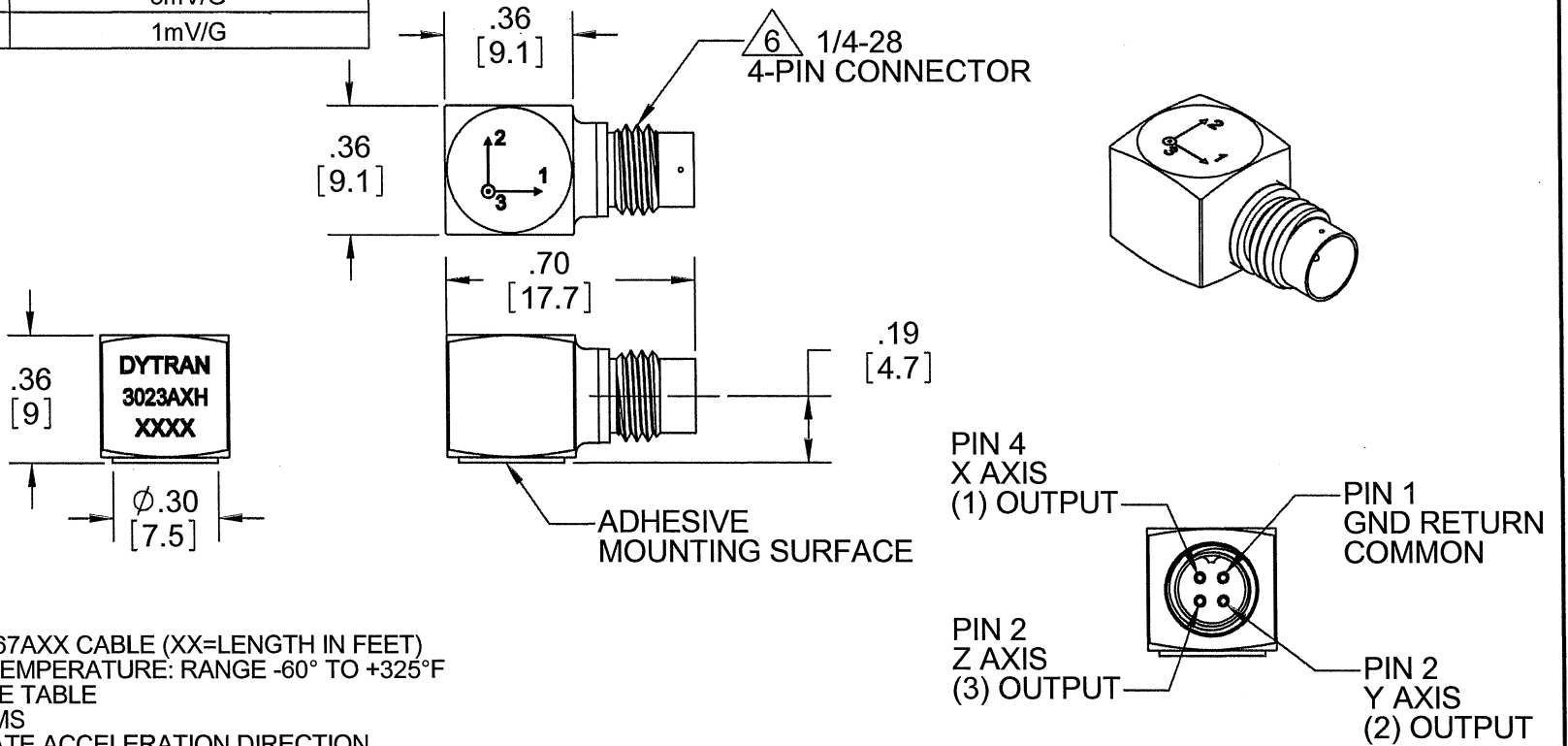
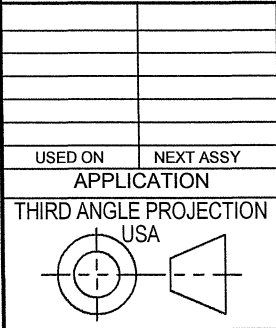


PROPRIETARY AND CONFIDENTIAL		REVISIONS					
THE INFORMATION CONTAINED IN THIS DRAWING IS THE SOLE PROPERTY OF DYTRAN INSTRUMENTS INC. ANY REPRODUCTION IN PART OR AS A WHOLE WITHOUT THE WRITTEN PERMISSION OF DYTRAN INSTRUMENTS INC. IS PROHIBITED		REV.	ECN	DESCRIPTION	BY/DATE	CHK	APPR
		B	6250	ADDED NOTE 5 & 6, REFORMATED	RA, 11/23/09	EP	DV
MODEL	SENSITIVITY	C	7540	ADDED MODEL 3023A4H, TEMPERATURE: RANGE - IS: 60° TO +325°F, WAS: 60° TO +320°F	JS 07/06/11		
3023AH	10mV/G						
3023A3H	5mV/G						
3023A4H	1mV/G						



6. MATES WITH 6967AXX CABLE (XX=LENGTH IN FEET)
5. OPERATIONAL TEMPERATURE: RANGE -60° TO +325°F
4. SENSITIVITY: SEE TABLE
3. WEIGHT: 3 GRAMS
2. ARROWS INDICATE ACCELERATION DIRECTION FOR POSITIVE OUTPUT
1. MATERIAL: TITANIUM ALLOY

NOTES: UNLESS OTHERWISE SPECIFIED.



UNLESS OTHERWISE SPECIFIED:
 INTERPRET DIM & TOL PER ASME Y14.5M - 1994.
 REMOVE BURRS.
 COUNTERSINK INTERNAL THDS 90° TO MAJOR DIA.
 CHAM EXT THDS 45° TO MINOR DIA.
 THD LENGTHS AND DEPTHS ARE FOR MIN FULL THDS.
 THDS PER MIL-S-7742.
 DIMENSIONS APPLY AFTER FINISHING.
 ALL MACHINED SURFACES.
 TOTAL RUNOUT WITHIN .005.
 BREAK SHARP EDGES .005 TO .010.
 MACHINED FILLET RADII .005 TO .015.
 WELDING SYMBOLS PER AWS A2.4.
 ABBREVIATIONS PER MIL-STD-12.

UNLESS OTHERWISE SPECIFIED:
 DIMENSIONS ARE IN INCHES.
 DIMENSIONS IN BRACKETS [] ARE IN MILLIMETERS
 TOLERANCES ARE:
 INCHES METRIC ANGLES
 .XX ±.03 .X ±0.8 ±1°
 .XXX±.010 .XX ±0.25

MATERIAL

FINISH

DO NOT SCALE DRAWING

CONTRACT NO.		
APPROVALS		DATE
ORIG	PML	06/12/05
CHK	CES	06/12/05
APP	DV	06/13/05
APP		

DYTRAN
INSTRUMENTS, INC. Chatsworth, CA

MASTER ONLY IF IN RED

TITLE: **OUTLINE/INSTALLATION DRAWING, HIGH TEMPERATURE ACCELEROMETER**

SIZE	CAGE CODE	DWG. NO.	REV
A	2W033	127-3023AH	C

SCALE: 1:1 SOLIDWORKS SHEET 1 OF 1

MODEL NUMBER 3023A4H	PERFORMANCE SPECIFICATION	DOC NO. PS3023A4H
---------------------------------------	----------------------------------	------------------------------------

ACCELEROMETER, TRIAXIAL, IEPE REV B, ECN 8084, 11/22/11



- HIGH TEMPERATURE
- HERMETICALLY SEALED
- MINIATURE SIZE

PHYSICAL

	ENGLISH		SI	
Weight	0.11	oz	3.0	grams
Mounting	Adhesive Mount		Adhesive Mount	
Connector [1]	4-pin		4-pin	
Material, Housing / Connector	Titanium		Titanium	

PERFORMANCE

Sensitivity, ±10 % [2]	1	mV/g	0.10	mV/m/s ²
Range F.S. (each axis)	±5000	g	±49050	m/s ²
Frequency Response, +/-10%	1-Axis	0.7 to 5000	Hz	Hz
	2-Axis	0.7 to 5000	Hz	Hz
	3-Axis	0.7 to 10000	Hz	Hz
Element Natural Frequency	> 30	kHz	> 30	kHz
Equivalent Electrical Noise, Max	0.07	grms	0.69	m/s ² rms
Linearity [3]	1	%F.S.	1	%F.S.
Transverse Sensitivity, Max	6	%	6	%
Signal Polarity	[5]		[5]	

ENVIRONMENTAL

Maximum Shock	7000	g pk	68670	m/s ²
Maximum Vibration	6000	g pk	58860	m/s ²
Temperature Range	-60 to +325	°F	-51 to +162	°C
Environmental Seal	Hermetic		Hermetic	

ELECTRICAL

Supply Current Range [4]	2 to 20	mA	2 to 20	mA
Compliance Voltage Range	+18 to +30	VDC	+18 to +30	VDC
Output Impedance, Typ.	100	Ω	100	Ω
Output Bias Voltage	9 to 11	VDC	9 to 11	VDC
Discharge Time Constant, Nom.	0.3-1.0	sec	0.3-1.0	sec
Ground Isolation	Case Ground		Case Ground	

This family also includes:

Model	Sensitivity (mV/g)	Range (Gpeak)	Resolution (Grms)	Oper. Temp(°F)	TC

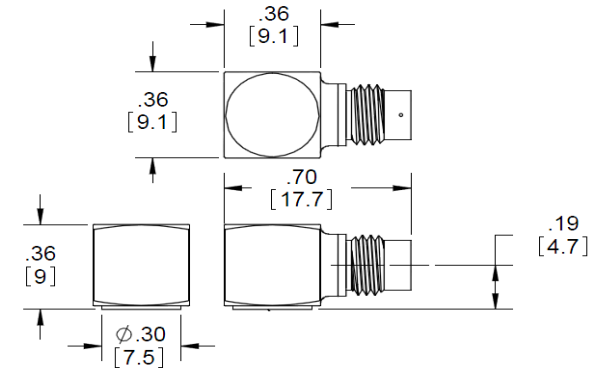
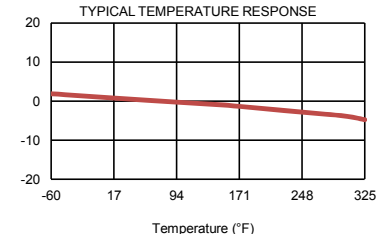
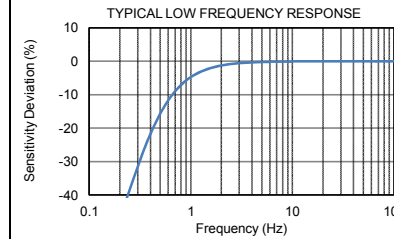
Refer to the performance specifications of the products in this family for detailed description

Supplied Accessories:

- 1) Accredited Calibration Certificate (ISO 17025)

Notes:

- [1] Connector mates with Dytran's cable assy. Model 6967AXX. (xx = length in feet)
- [2] Measured At 100 Hz, 1 Grms per ISA RP 37.2
- [3] Measured using zero-based best straight-line method, percentage of F.S. or any lesser range.
- [4] Do not apply power to this system without current limiting, 20 mA MAX. To do so will destroy the amplifier.
- [5] Arrows on housing indicate direction of acceleration for positive output.
- [6] In the interest of constant product improvement, we reserve the right to change the specification without notice.



Units on the line drawing are in inches, units in brackets are in millimeters. Refer to 127-3023A4H for more information.



21592 Marilla Street, Chatsworth, California 91311 Phone: 818.700.7818 Fax: 818.700.7880
www.dytran.com For permission to reprint this content, please contact info@dytran.com