

Model 2300 High Capacity Load Cell

- Capacities 630, 1000, 2000 kN
- Accuracy class 0.05% FS
- Tension & compression
- Low profile, small mass
- Flange mounted
- Easy installation



OPTIONS

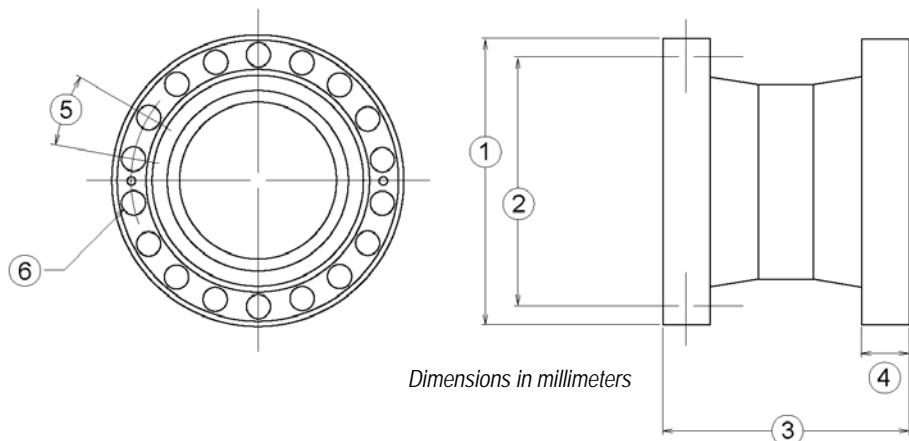
1. Fixed cable or plug connection
2. Redundancy: Dual bridge for axial force measurement
3. Additional bridges for the bending moments M_x and M_y (to verify central, purely axial force introduction)
4. TEDS calibration IEEE 1451.4

DIMENSIONS

Model	2330	2340	2350
Capacity (kN)	630	1000	2000,
(1)	197	240	305
(2)	160	200	250
(3)	160	230	326
(4)	25	40	57.5
(5)	30°	30°	30°
(6)	M20 x 12	M24 x 12	M30 x 12
Weight-kg	9	19	46
	Recommended Mounting Plate Thickness		
	70	100	140

SPECIFICATIONS

MODELS (kN)	630, 1000, 2000
ACCURACY – (MAX ERROR)	
Static Error Band-% FS	±0.05
Nonlinearity-% FS	±0.05
Hysteresis-% FS	±0.1
Nonrepeatability-% RO	±0.02
Creep, in 20 min-%	±0.025
Side Load Sensitivity-%	±0.25
Eccentric Load Sensitivity-%/mm	±0.5
TEMPERATURE	
Compensated Range-°C	10 to 60
Operating Range-°C	10 to 60
Effect on Zero-% RO/°C – MAX	0.0025
ELECTRICAL	
Rated Output-mV/V (Nominal)	2
Excitation Voltage-VDC MAX	20
MECHANICAL	
Fatigue Range-%CAP	±80



2300.DOC - Preliminary For Discussion
Rev Date 04/15/2011