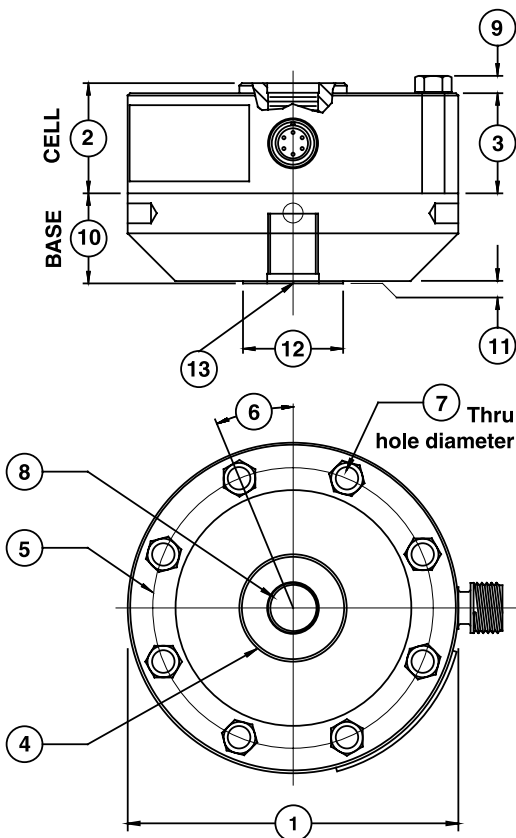


# Model 1000 Fatigue Rated Load Cell (U.S. & Metric)

Why the Interface model 1000 Fatigue Rated Load Cell is the best in class:

- Proprietary Interface temperature compensated strain gages
- 100 million fully reversed cycles
- Performance to 0.03%
- Eccentric load compensated
- Low deflection
- .0008%/°F (.0015%/°C) temp. effect on output
- Barometric compensation
- Shunt calibration
- Tension and compression



## DIMENSIONS

See Drawing	MODEL					
	1010		1020		1032	
	CAPACITY					
	U. S. (lbf)	Metric (kN)	U. S. (lbf)	Metric (kN)	U. S. (lbf)	Metric (kN)
	250, 500, 1K, 2.5K, 5K	1.25, 2.5, 5, 12.5, 25	12.5K, 25K	50, 125	50K	225
	inch	mm	inch	mm	inch	mm
①	4.13	104.8	6.06	153.9	8.00	203.2
②	1.38	34.9	1.75	44.5	2.50	63.5
③	1.25	31.7	1.63	41.4	2.25	57.2
④	1.34	34.0	2.65	67.3	3.76	95.2
⑤	3.50	88.9	5.13	130.3	6.50	165.1
⑥	22.5°	22.5°	15.0°	15.0°	11.25°	11.25°
⑦	0.28	7.10	0.41	10.4	0.53	13.5
	8 places		12 places		16 places	
⑧	5/8-18 UNF-3B	M-16 X 2-4H	1 1/4-12 UNF-3B	M33 X 2-4H	1 3/4-12 UNF-3B	M42 X 2-4H
	1.12 in deep	28.4 mm deep	1.40 in deep	35.6 mm deep	2.15 in deep	54.6 mm deep
⑨	0.20	5.10	0.30	7.60	0.40	10.2
⑩	1.13	28.6	1.75	44.5	2.00	50.8
⑪	0.03	0.80	0.03	0.80	0.03	0.80
⑫	1.25	31.8	2.25	57.2	3.00	76.2
⑬	5/8-18 UNF-3B	M-16 X 2-4H	1 1/4-12 UNF-3B	M33 X 2-4H	1 3/4-12 UNF-3B	M42 X 2-4H
	.87 in deep	22.1 mm deep	1.40 in deep	35.6 mm deep	1.75 in deep	44.5 mm deep

## SPECIFICATIONS

PARAMETERS	MODEL			
	1010	1010	1020	1032
	CAPACITY			
U.S. Models (lbf)	250, 500, 1K	2.5K, 5K	12.5K, 25K	50K
Metric Models (kN)	1.25, 2.5, 5	12.5, 25	50, 125	225
<b>ACCURACY – (MAX ERROR)</b>				
Static Error Band-% FS	±0.03	±0.04	±0.05	±0.05
Nonlinearity-% FS	±0.04	±0.04	±0.05	±0.05
Hysteresis-% FS	±0.03	±0.04	±0.05	±0.05
Nonrepeatability-% RO	±0.02	±0.02	±0.02	±0.02
Creep, in 20 min-%	±0.025	±0.025	±0.025	±0.025
Side Load Sensitivity-%	±0.1	±0.1	±0.1	±0.1
Eccentric Load Sensitivity-%/in	±0.1	±0.1	±0.1	±0.1
<b>TEMPERATURE</b>				
Compensated Range-°F	15 to 115	15 to 115	15 to 115	15 to 115
Compensated Range-°C	-10 to 45	-10 to 45	-10 to 45	-10 to 45
Operating Range-°F	-65 to 200	-65 to 200	-65 to 200	-65 to 200
Operating Range-°C	-55 to 90	-55 to 90	-55 to 90	-55 to 90
Effect on Zero-%RO/°F – MAX	±0.0008	±0.0008	±0.0008	±0.0008
Effect on Zero-%RO/°C – MAX	±0.0015	±0.0015	±0.0015	±0.0015
Effect on Output-%/°F – MAX	±0.0008	±0.0008	±0.0008	±0.0008
Effect on Output-%/°C – MAX	±0.0015	±0.0015	±0.0015	±0.0015
<b>ELECTRICAL</b>				
Rated Output-mV/V (Nominal)	1.0	2.0	2.0	2.0
Excitation Voltage-VDC MAX	20	20	20	20
Bridge Resistance-Ohm (Nominal)	350	350	350	350
Zero Balance-% RO	±1.0	±1.0	±1.0	±1.0
Insulation Resistance-Megohm	5000	5000	5000	5000
<b>MECHANICAL</b>				
Safe Overload-% CAP	±300	±300	±300	±300
Deflection @ RO-inch	0.0005	0.001	0.001	0.002
Deflection @ RO-mm	0.013	0.025	0.025	0.050
Optional Base-P/N (Metric)	B101 (M)	B102 (M)	B103 (M)	B112 (M)
Natural Frequency-kHz	5.0, 6.9, 9.8	6.6, 9.4	6.5, 7.0	5.8
Weight-lb	1.5	3.3	9.5	26
Weight-kg	0.7	1.5	4.3	12
Connector	PC04E-10-6P	PC04E-10-6P	PC04E-10-6P	PC04E-10-6P
Calibration	T & C	T & C	T & C	T & C

### OPTIONS

- Base (Recommended)
- Integral 10 ft Cable
- Bayonet Connector
- Multiple Bridge
- Standardized Output
- Connector Protection
- Transducer Electronic Data Sheet (TEDS)

### ACCESSORIES

- Mating Connector
- Instrumentation
- Loading Hardware

*Consult factory for more technical information*

### STANDARD CONFIGURATIONS

- 10 ft Integral Cable (10xxAJ-nn)
- <or> PC04E-10-6P Connector (10xxAF-nn)
- Installed Base (-B suffix)



*Shown with optional base*